

BOLTS
FOR DOOR





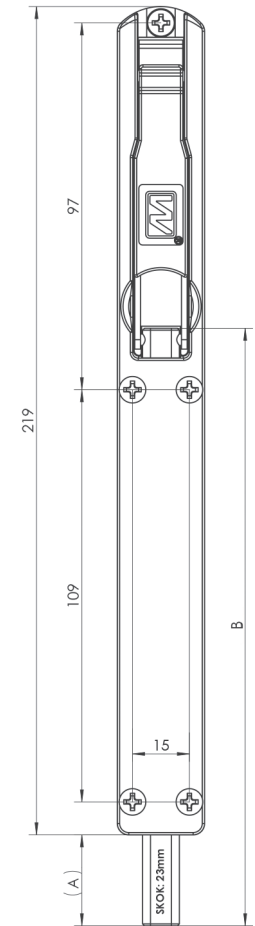
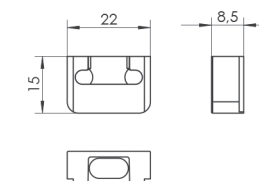
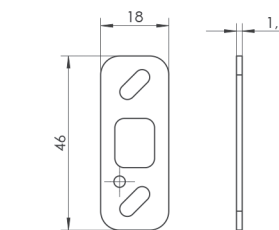
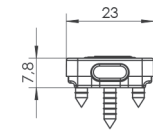
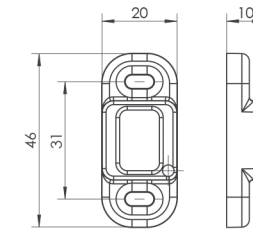
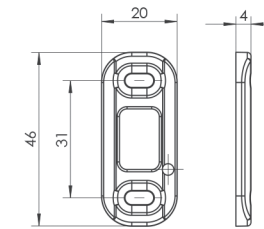
WN2 / WNL2

SURFACE BOLTS / OTHER



BOLTS	B	A
WN 25mm	158mm	25mm
WN2 40mm	173mm	40mm
WNL2	•	B - 133 mm

• atypical length as ordered



- BLACK STRUCTURE
- BROWN STRUCTURE
- SILVER STRUCTURE
- WHITE STRUCTURE

Set of bolts consists of bolts base, catches and screws.



SET OF GROMMETS (2 OR 3 PCS.) FOR WNL2 BOLT:



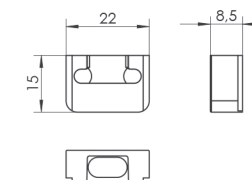
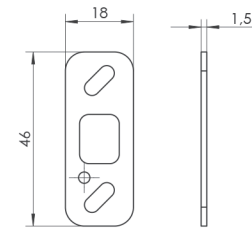
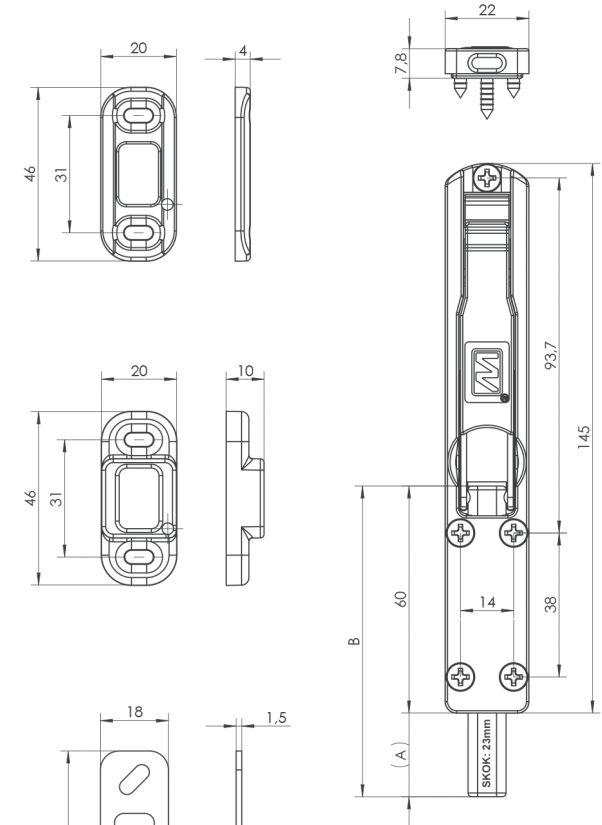


-  BLACK STRUCTURE
-  BROWN STRUCTURE
-  SILVER STRUCTURE
-  WHITE STRUCTURE



BOLTS	B	A
WSN 23mm	82mm	22mm
WSN 30mm	92mm	32mm
WSN L155mm	155mm	95mm
WSL	•	B - 60mm

• atypical length as ordered



Set of bolts consists of bolts base, catches and screws.



SET OF GROMMETS (2 OR 3 PCS.) FOR WSL BOLT:





SLIM

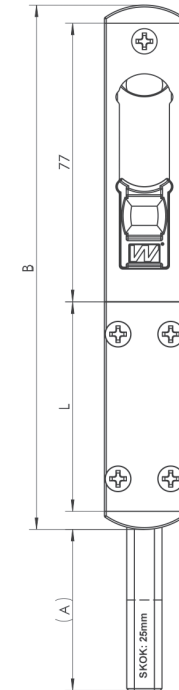
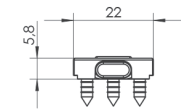
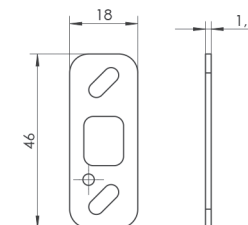
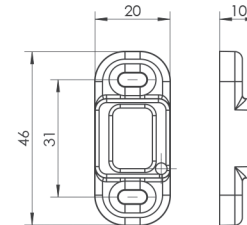
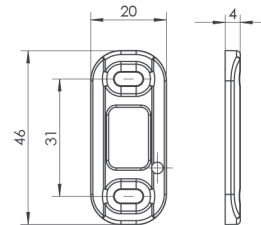
SURFACE BOLTS / OTHER



BOLTS	B	L	A
SLIM H145	145mm	58mm	45mm
SLIM H200	200mm	113mm	35mm
SLIM-L H145	145mm	58mm	•
SLIM-L H200	200mm	113mm	•
SLIM-H ATYPICAL	•	H - 87mm	•

• atypical length as ordered

Set of bolts consists of bolts base, catches and screws.



BLACK STRUCTURE

BROWN STRUCTURE

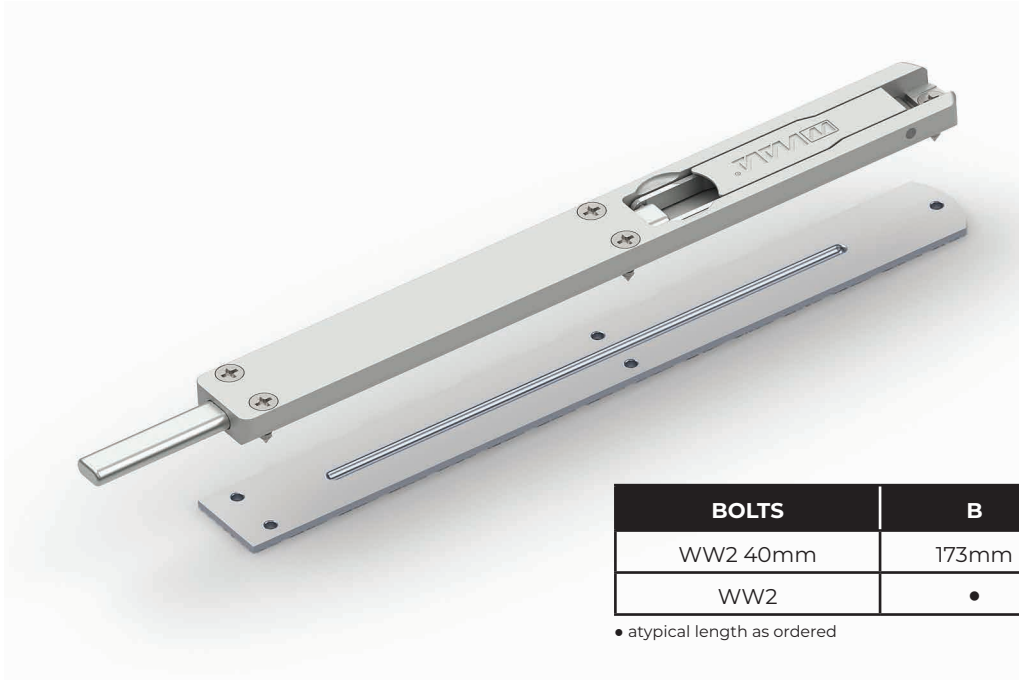
WHITE STRUCTURE

ANODE NATURAL





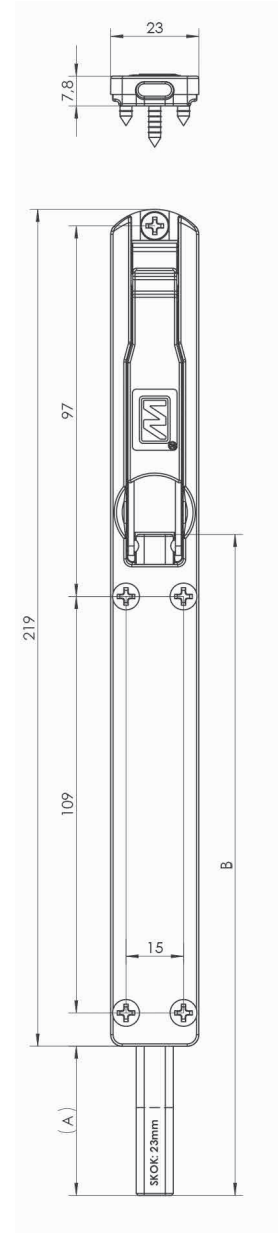
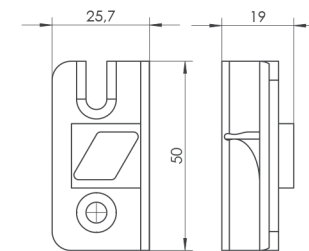
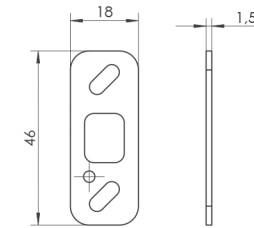
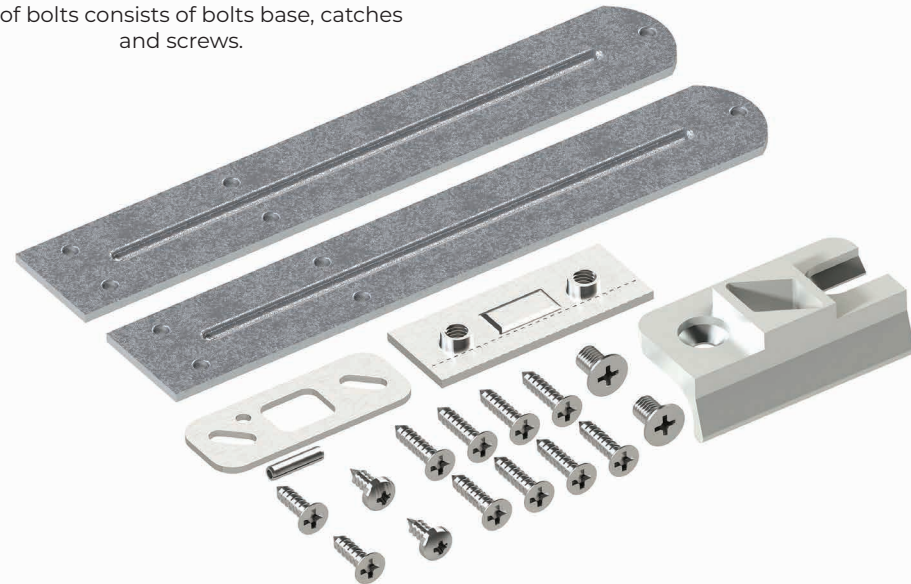
-  BLACK STRUCTURE
-  BROWN STRUCTURE
-  SILVER STRUCTURE
-  WHITE STRUCTURE



BOLTS	B	A
WW2 40mm	173mm	40mm
WW2	•	B - 133mm

• atypical length as ordered

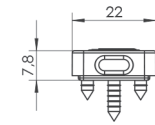
Set of bolts consists of bolts base, catches and screws.



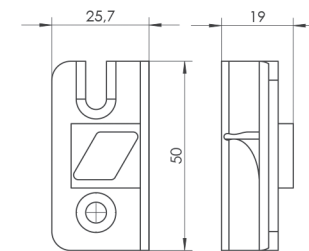
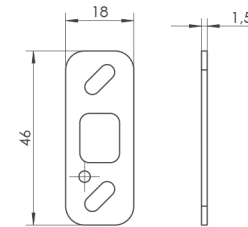
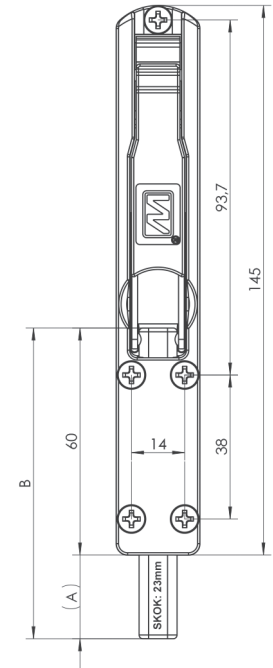


BOLTS	B	A
WSW 30mm	92mm	32mm

Set of bolts consists of bolts base, catches and screws.

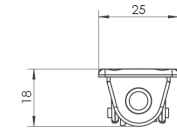


-  BLACK STRUCTURE
-  BROWN STRUCTURE
-  SILVER STRUCTURE
-  WHITE STRUCTURE

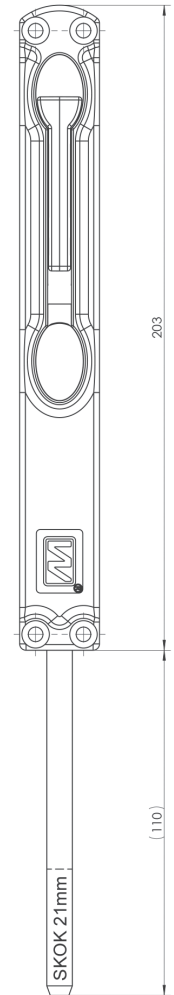
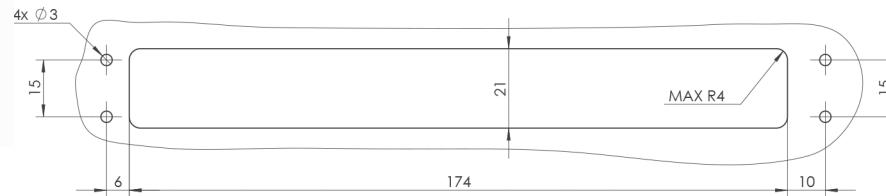




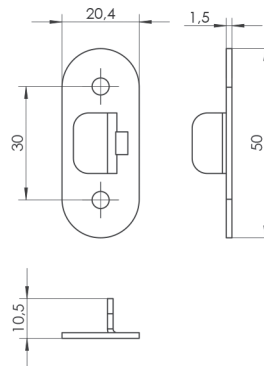
- BLACK STRUCTURE
- BROWN STRUCTURE
- SILVER STRUCTURE
- WHITE STRUCTURE



Tooling in profile for WL Mortise Bolt:



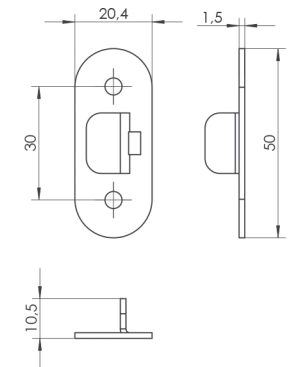
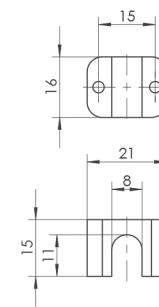
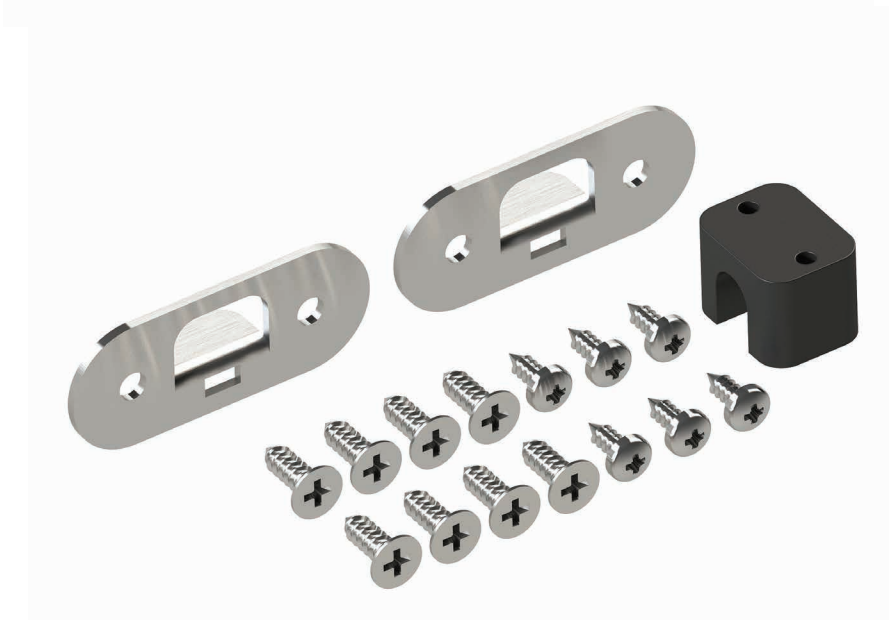
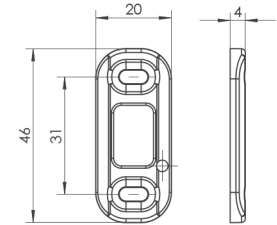
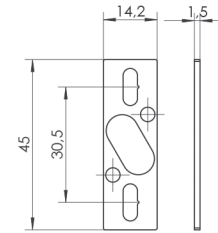
Set of bolts consists of bolts base, catches and screws.





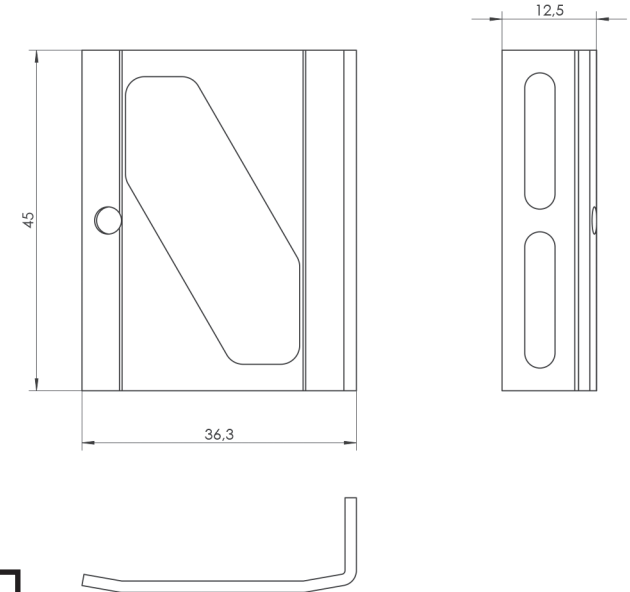
WL MORTISE BOLT BASE

SUPPLEMENTARY ELEMENTS / OTHER



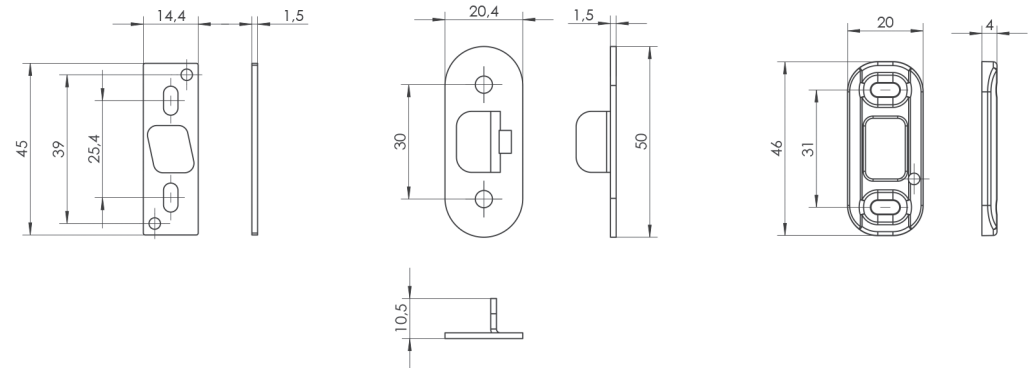


FOR AF SYSTEMS WN2, WSN, WSW, WW2 BOLTS



SLIM BOLT BASE WITH CATCHES AND SCREWS

SYSTEM AF

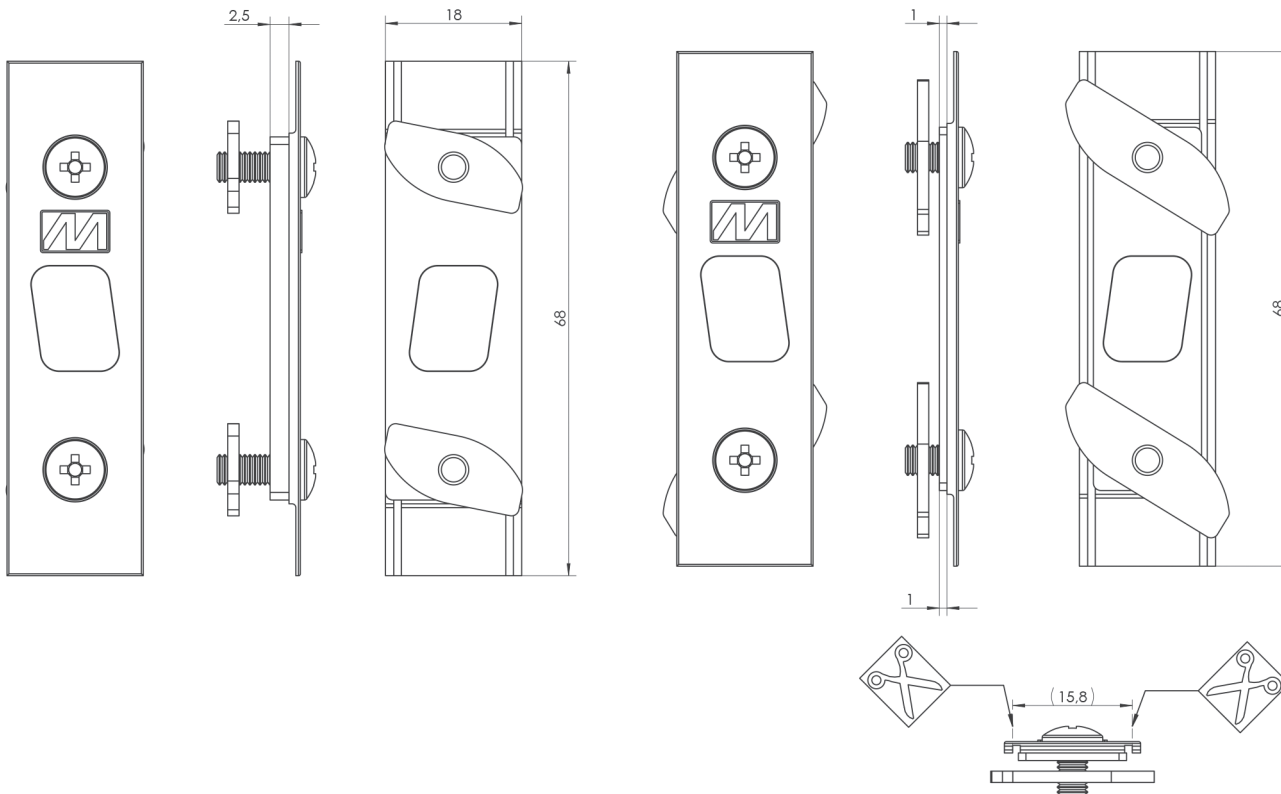
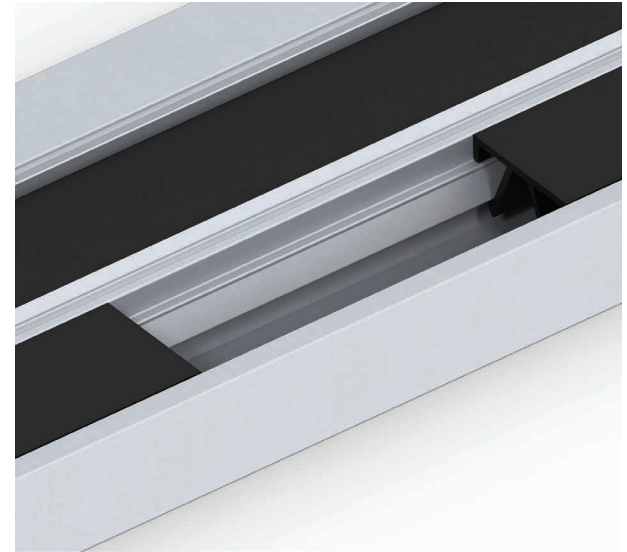
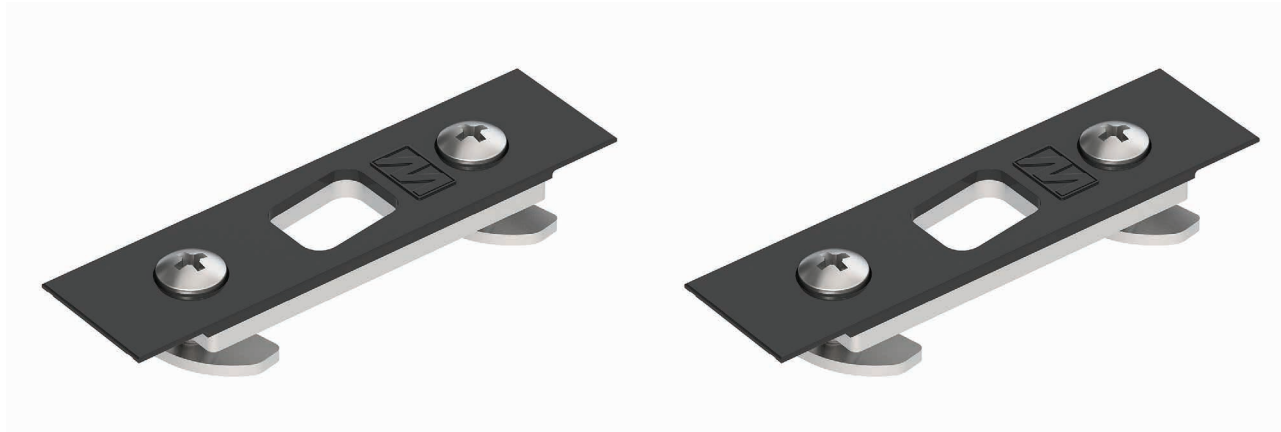




WZD LOWER BOLT CATCH WITH A COVER

SUPPLEMENTARY ELEMENTS / OTHER

Easy and quick assembly, drilling not required.
Just cut out the plastic spacer in the doorstep.



FLOOR BOLT CATCH



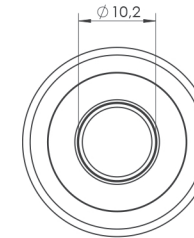
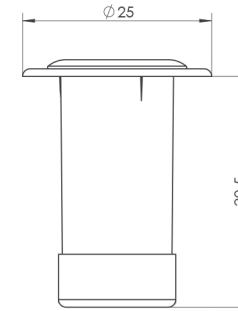
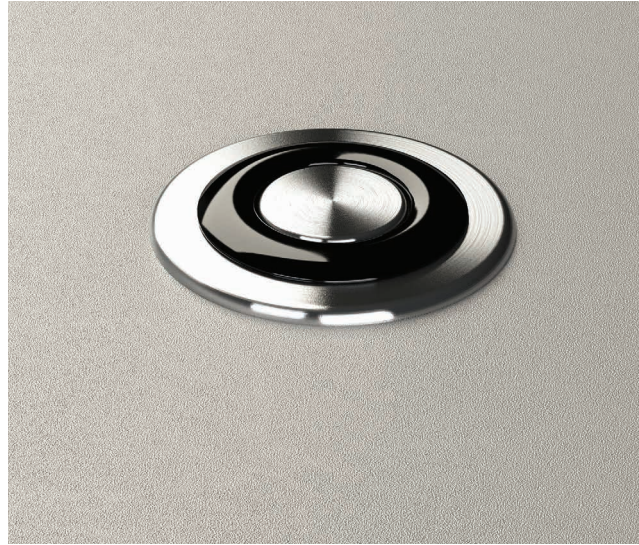
STEEL 304



BLACK PLASTIC



DUST PROTECTION



DRILLING IN A FLOOR:
Ø16 ↓ 32mm

FLOOR BOLT CATCH WITH A BALL



BRASS



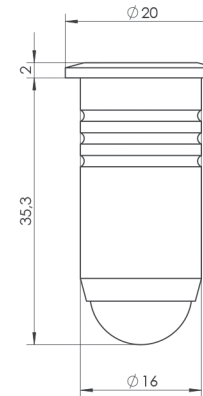
CHROME MAT



ALUMINIUM



ANODE NATURAL



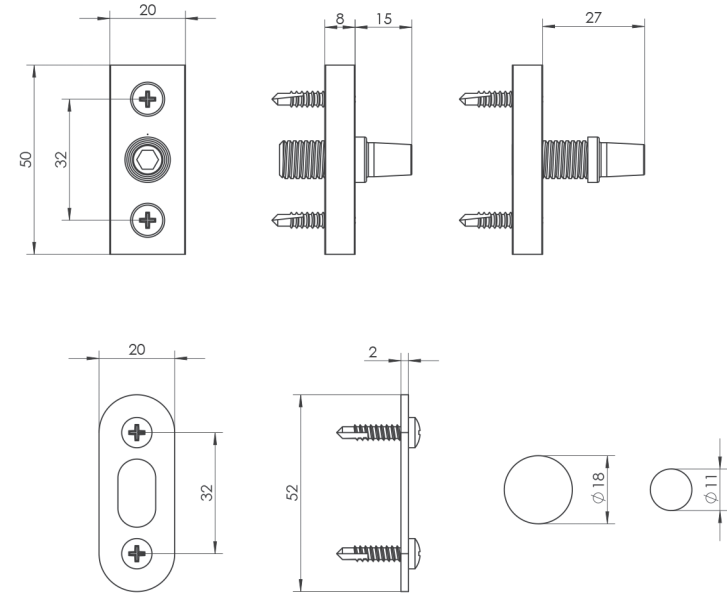
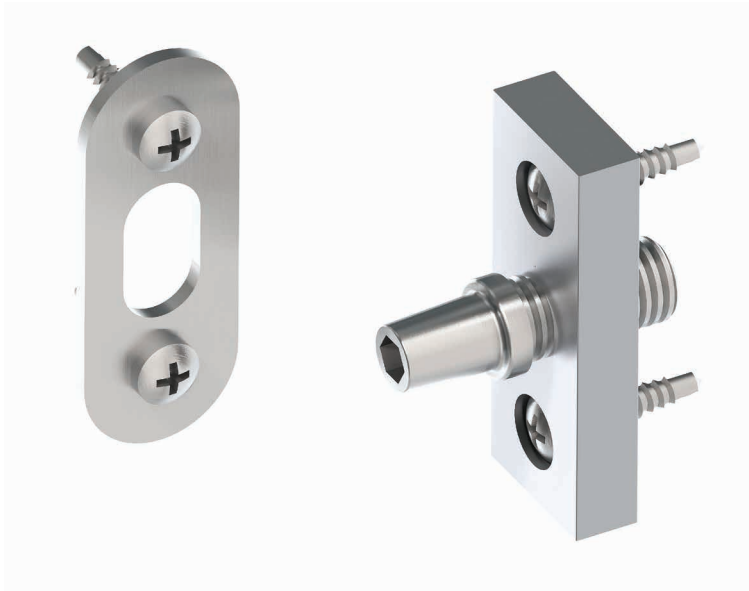
DRILLING IN A FLOOR:
Ø16 ↓ 37mm





BURGLARPROOF PIN WBA

SUPPLEMENTARY ELEMENTS / OTHER

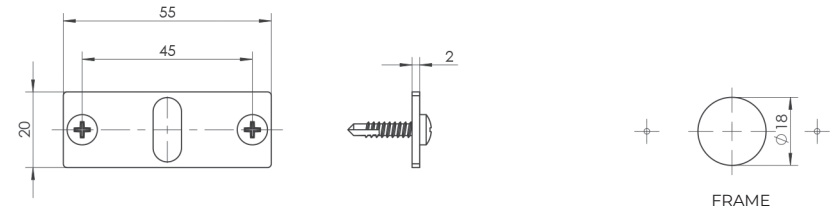
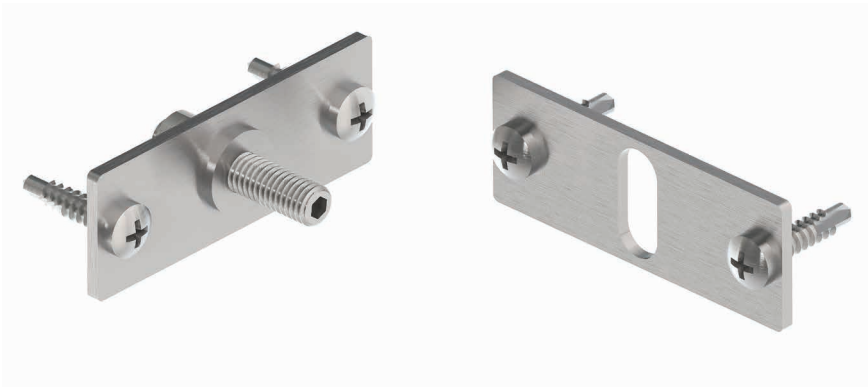


STEEL 304

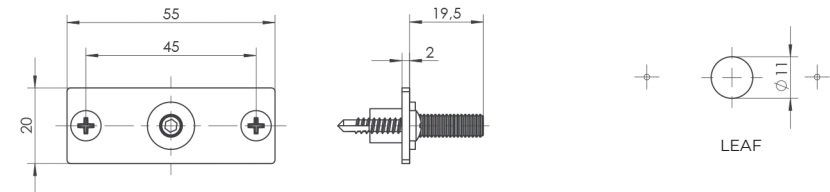


BLACK CATAPHORESIS

FIRE PROTECTION PIN WBP



FRAME PART



LEAF PART

MAXIMAL POSITION OF THE PIN

TOOLING IN PROFILE

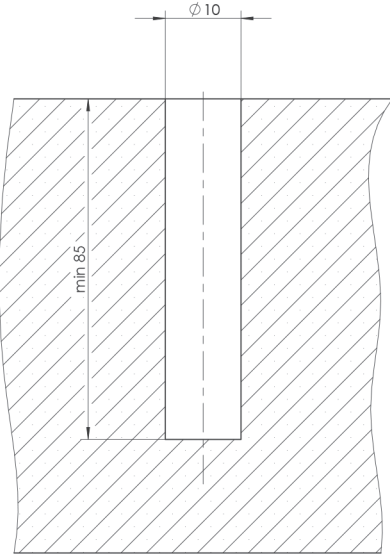
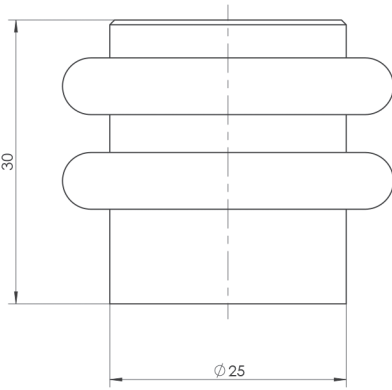




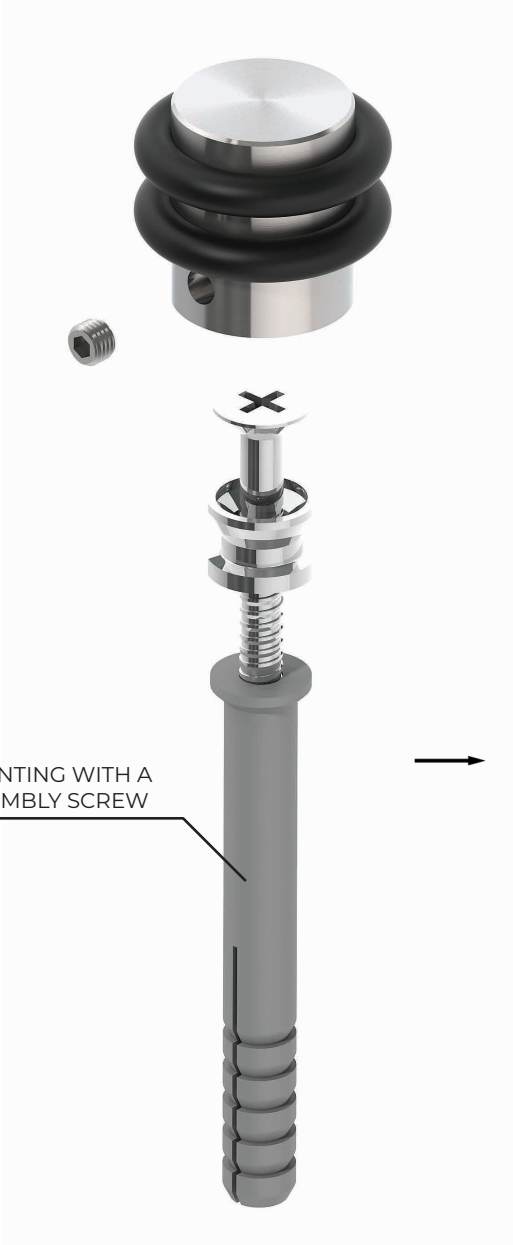
STEEL 304



ROUND Ø25



DRILLING IN A FLOOR



QUICK MOUNTING WITH A QUICK ASSEMBLY SCREW





DOORSTOP WST03

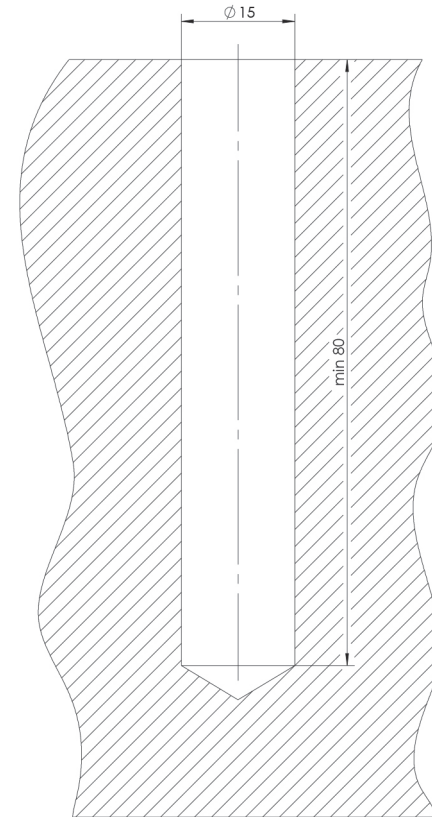
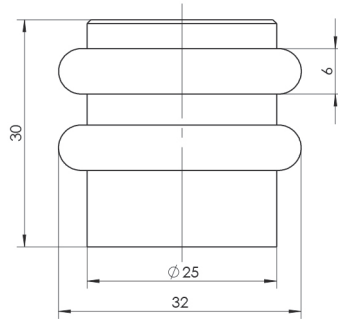
SUPPLEMENTARY ELEMENTS / OTHER



WST03 INOX



WST03 BLACK STRUCTURE



DRILLING IN A FLOOR



INSTALLATION

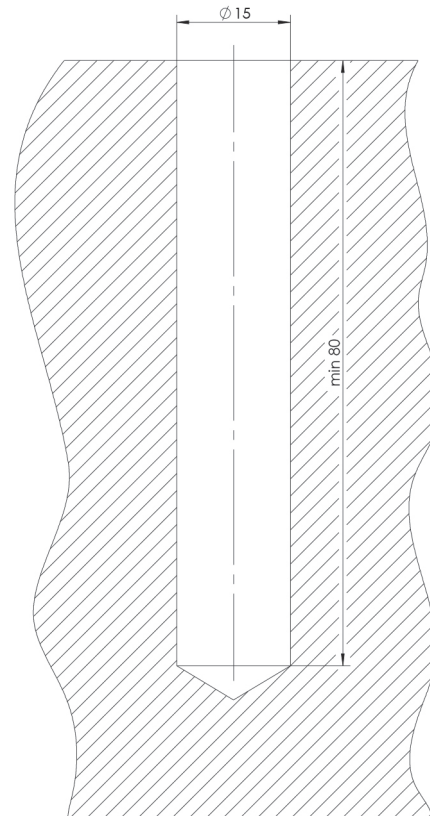
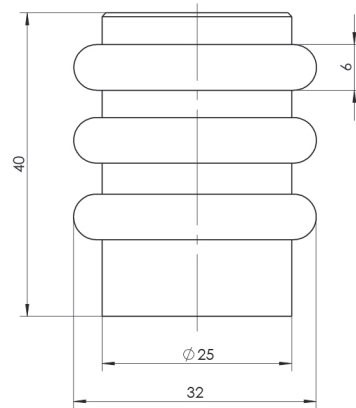




WST04 INOX



WST04 BLACK STRUCTURE



DRILLING IN A FLOOR



INSTALLATION





WALA Sp. z o.o.
ul. Parkowa 16
43-365 Wilkowice
tel. +48 33 82 72 390
wala@wala.pl
www.wala.pl