






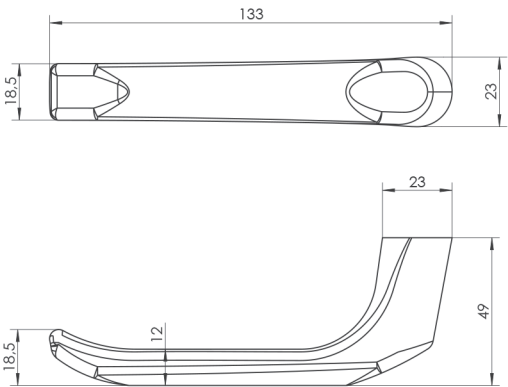
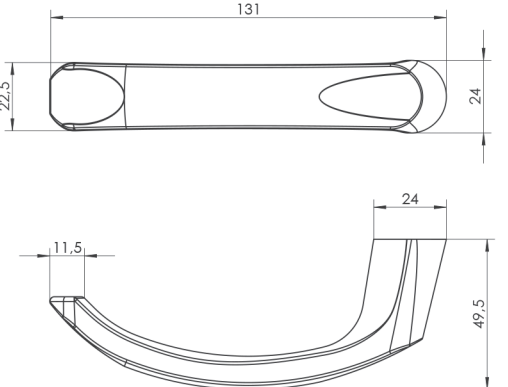
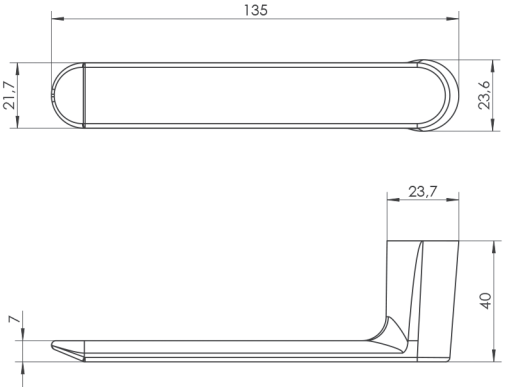
KNOBS
HANDLES
ESCUTCHEONS





H1, H2, H3 DOOR HANDLE

LIST OF HANDLES / DOOR HANDLES AND KNOBS

DOOR HANDLES H1	DOOR HANDLES H2 (secure handle)	DOOR HANDLES H3
		
		

- 7016
- 7024
- 8077
- 8017
- 9001
- 9010
- 7035
- SILVER
- INOX COATING
- GOLD W4
- 7021
- 9005
- 8019
- 8003
- 1036W
- 9016
- 9006
- CHROME MAT
- GOLD W3
- RAL



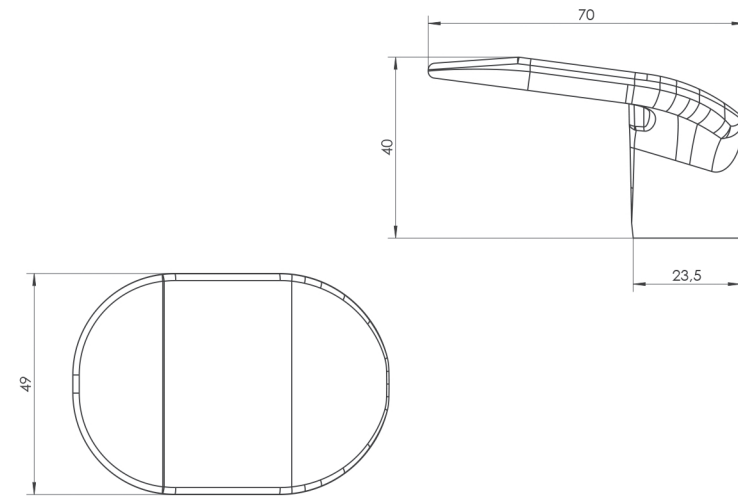
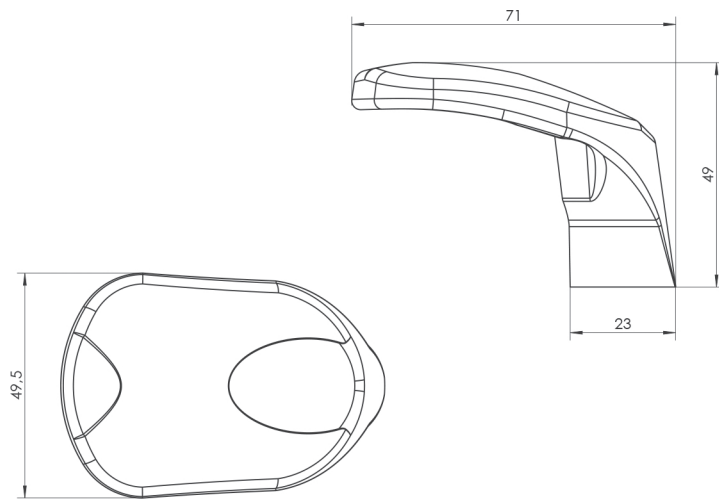


- | | |
|--------------|------------|
| | |
| 7016 | 7021 |
| | |
| 7024 | 9005 |
| | |
| 8077 | 8019 |
| | |
| 8017 | 8003 |
| | |
| 9001 | 1036W |
| | |
| 9010 | 9016 |
| | |
| 7035 | 9006 |
| | |
| SILVER | CHROME MAT |
| | |
| INOX COATING | GOLD W3 |
| | |
| GOLD W4 | RAL |

G1 DOOR KNOB



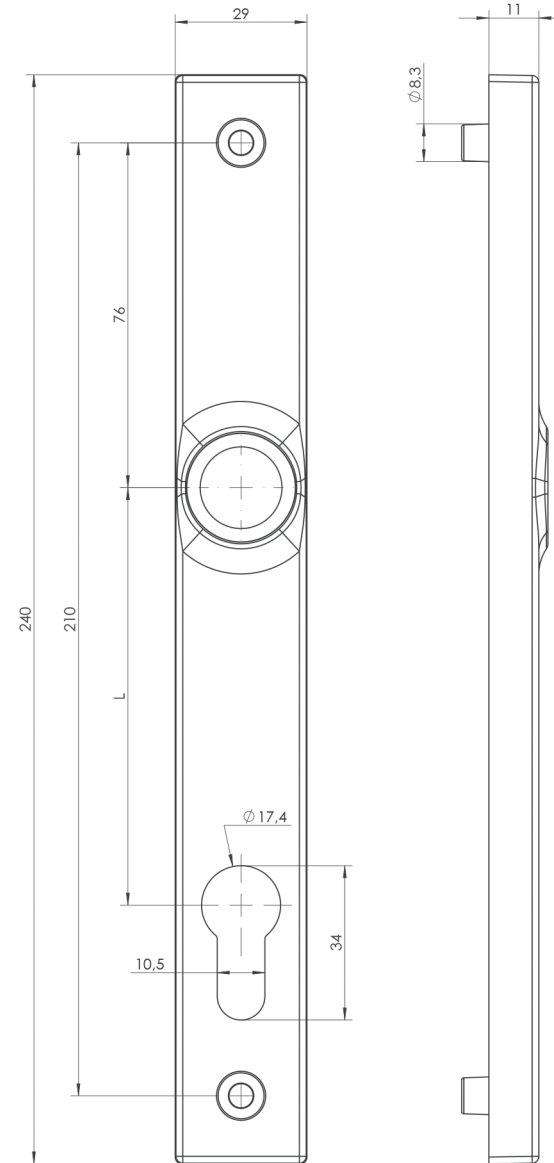
G3 DOOR KNOB





S1 ESCUTCHEON

LONG ESCUTCHEONS / DOOR HANDLES AND KNOBS



- 
7016
- 
7021
- 
7024
- 
9005
- 
8077
- 
8019
- 
8017
- 
8003
- 
9001
- 
1036W
- 
9010
- 
9016
- 
7035
- 
9006
- 
SILVER
- 
CHROME MAT
- 
INOX COATING
- 
GOLD W3
- 
GOLD W4
- 
RAL

ESCUTCHEON	L
S1 LONG ESCUTCHEON L72	72
S1 LONG ESCUTCHEON L92	92

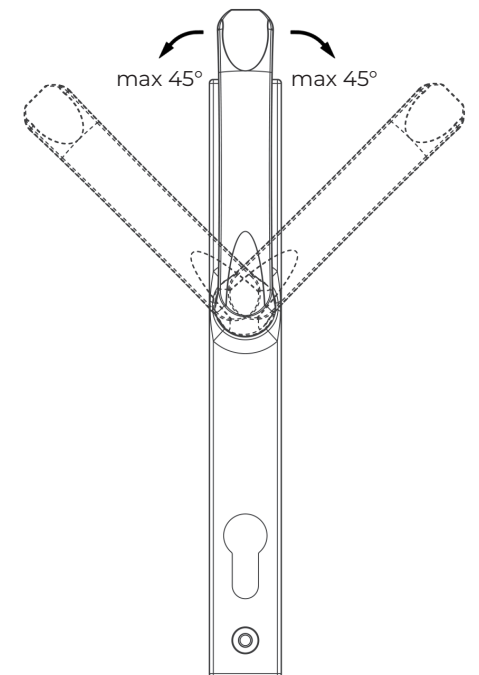
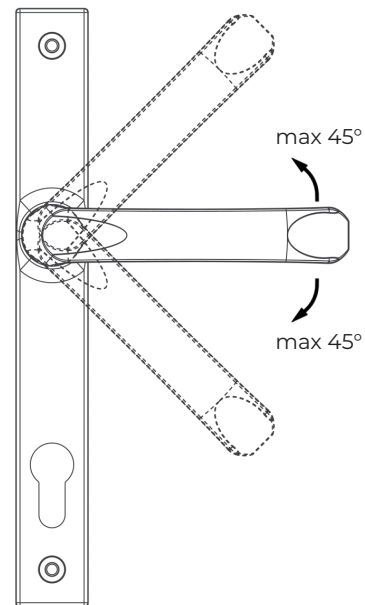
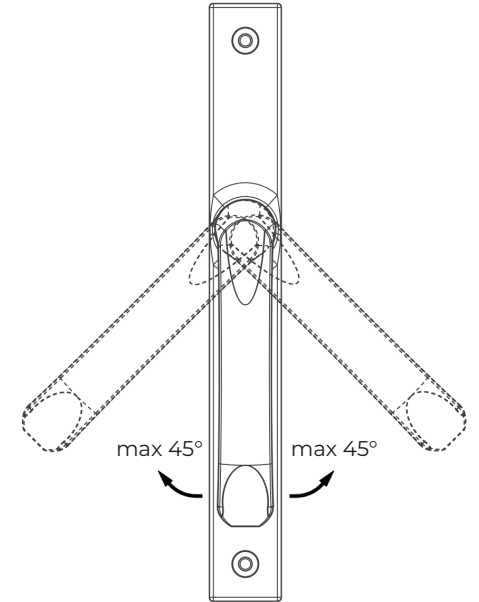
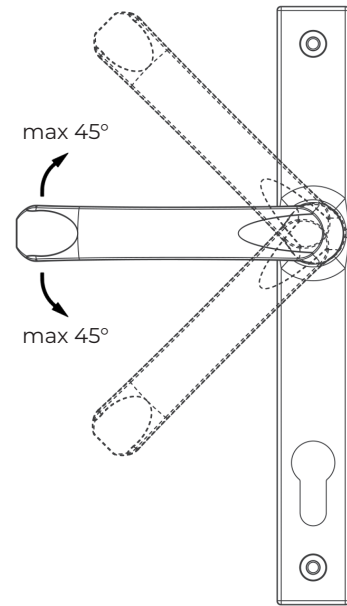




INSTALLATION OF THE DOOR HANDLE ADAPTED TO THE DOOR SIDE:



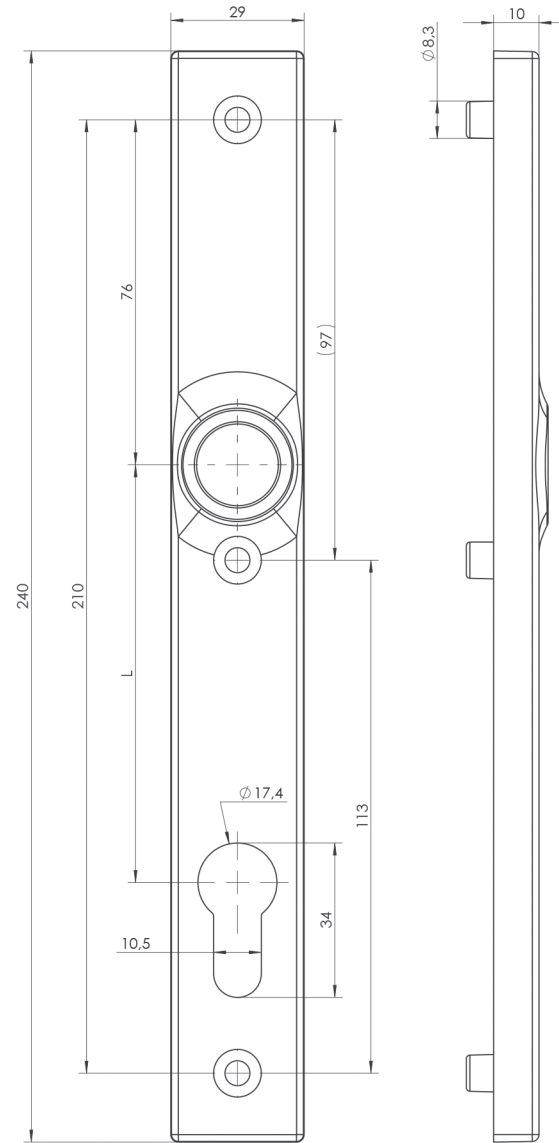
The spring in mechanism S1 is very strong, but the motion of a handle is restricted to $\pm 45^\circ$ and the handle must be properly set in „0“ position, depending on a door.





S2 ESCUTCHEON





LONG ESCUTCHEONS / DOOR HANDLES AND KNOBS

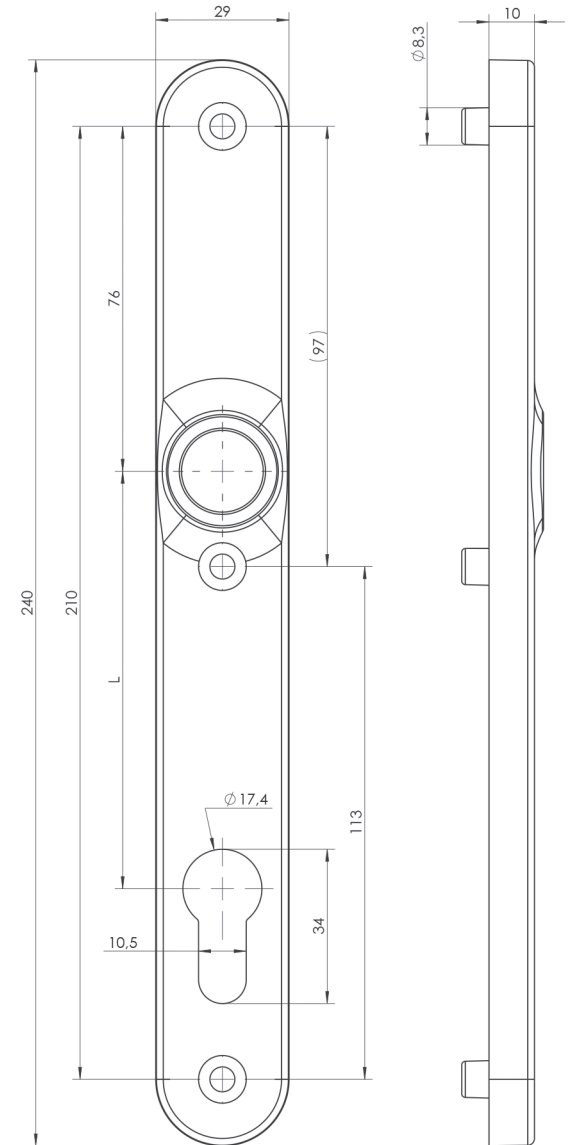


ESCUTCHEON	L
S2 LONG ESCUTCHEON L72	72
S2 LONG ESCUTCHEON L92	92





-  7016
-  7021
-  7024
-  9005
-  8077
-  8019
-  8017
-  8003
-  9001
-  1036W
-  9010
-  9016
-  7035
-  9006
-  SILVER
-  CHROME MAT
-  INOX COATING
-  GOLD W3
-  GOLD W4
-  RAL



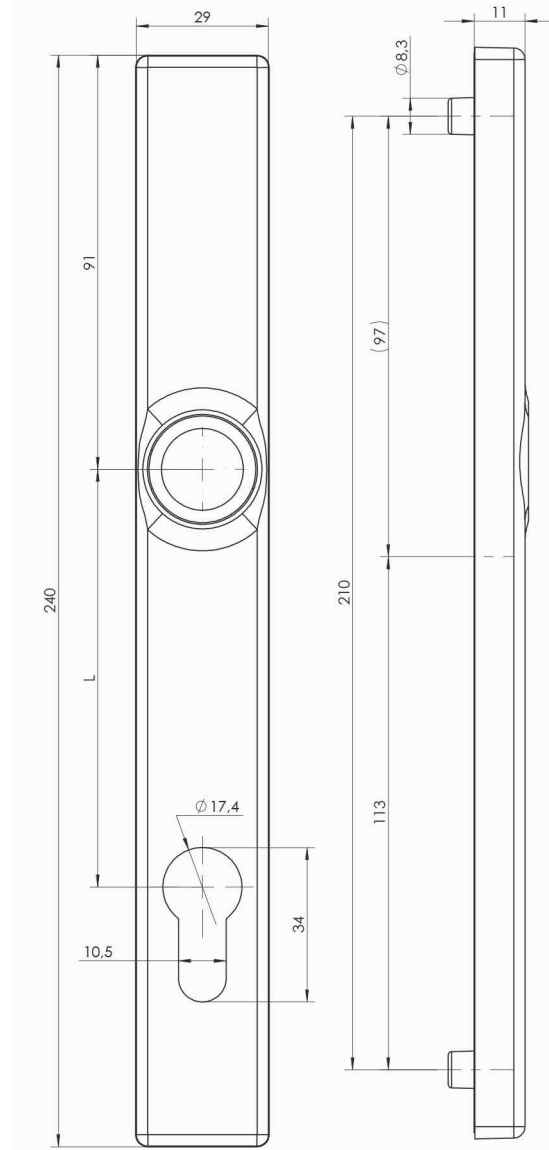
ESCUTCHEON	L
S3 LONG ESCUTCHEON L72	72
S3 LONG ESCUTCHEON L92	92





M2 ESCUTCHEON

LONG ESCUTCHEONS / DOOR HANDLES AND KNOBS







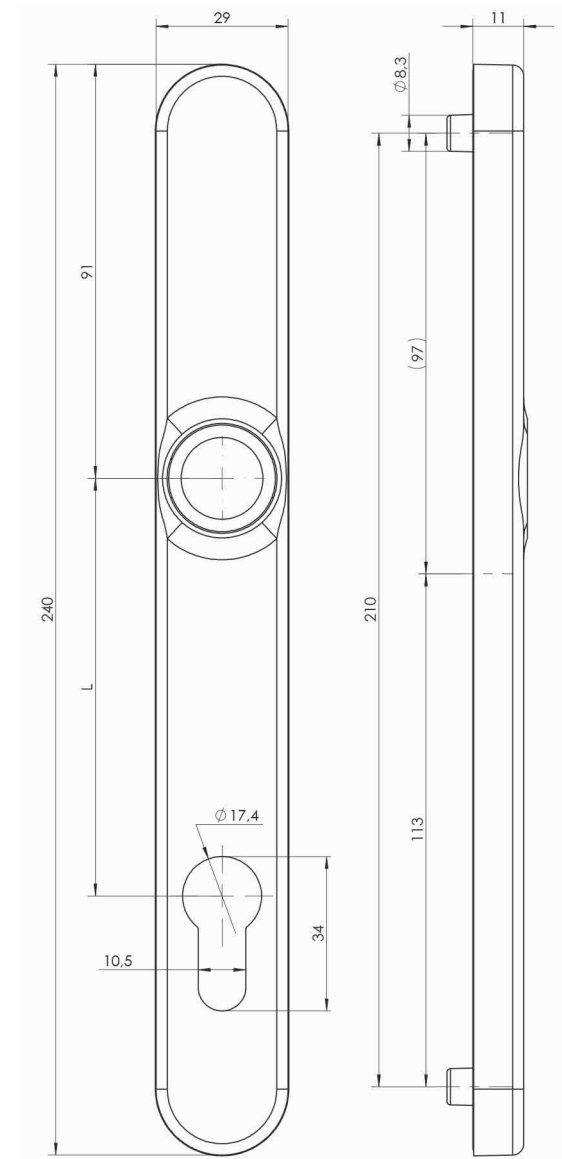
- 
7016
- 
7021
- 
7024
- 
9005
- 
8077
- 
8019
- 
8017
- 
8003
- 
9001
- 
1036W
- 
9010
- 
9016
- 
7035
- 
9006
- 
SILVER
- 
CHROME MAT
- 
INOX COATING
- 
GOLD W3
- 
GOLD W4
- 
RAL

ESCUTCHEON	L
M2 LONG ESCUTCHEON L72	72
M2 LONG ESCUTCHEON L92	92





-  7016
-  7024
-  8077
-  8017
-  9001
-  9010
-  7035
-  SILVER
-  INOX COATING
-  GOLD W4
-  7021
-  9005
-  8019
-  8003
-  1036W
-  9016
-  9006
-  CHROME MAT
-  GOLD W3
-  RAL



ESCUTCHEON	L
M3 LONG ESCUTCHEON L72	72
M3 LONG ESCUTCHEON L92	92





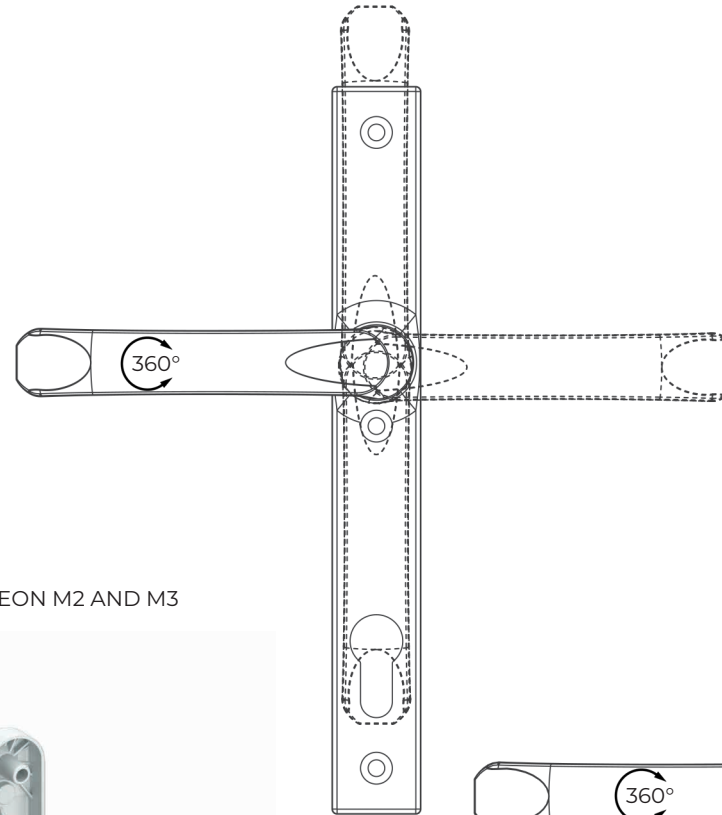
S2, S3, M2, M3 ESCUTCHEON

LONG ESCUTCHEONS / DOOR HANDLES AND KNOBS

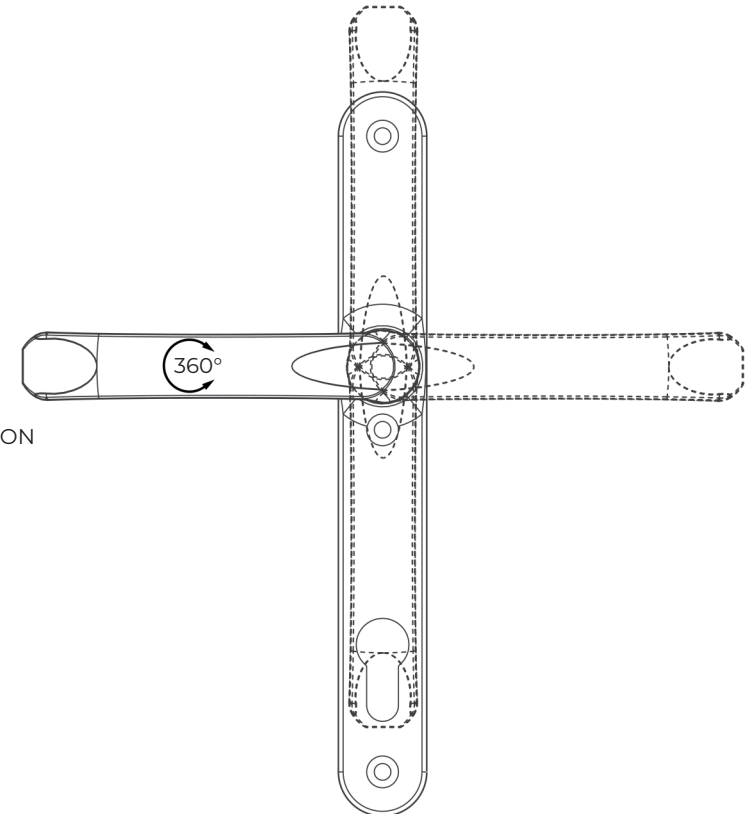
ASSEMBLY ESCUTCHEON S2 AND S3



ASSEMBLY ESCUTCHEON M2 AND M3



S2, M2 ESCUTCHEON



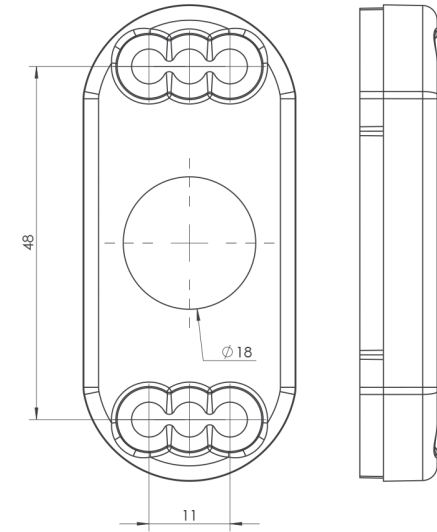
S3, M3 ESCUTCHEON

The spring in S2, S3 mechanism is not as strong as in H1 but it is possible to rotate the handle easily by 360° and the strength of return is the same in each position of the handle.

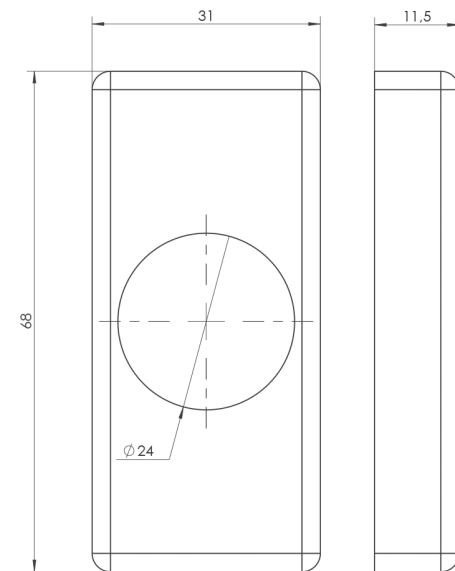




- | | |
|--------------|------------|
| | |
| 7016 | 7021 |
| | |
| 7024 | 9005 |
| | |
| 8077 | 8019 |
| | |
| 8017 | 8003 |
| | |
| 9001 | 1036W |
| | |
| 9010 | 9016 |
| | |
| 7035 | 9006 |
| | |
| SILVER | CHROME MAT |
| | |
| INOX COATING | GOLD W3 |
| | |
| GOLD W4 | RAL |



FOR RIVET NUTS DRILL THE HOLE Ø7 mm



COVER OF A SHORT ESCUTCHEON





SK1 ESCUTCHEON

SHORT ESCUTCHEONS / DOOR HANDLES
AND KNOBS

ASSEMBLY OF THE HANDLE

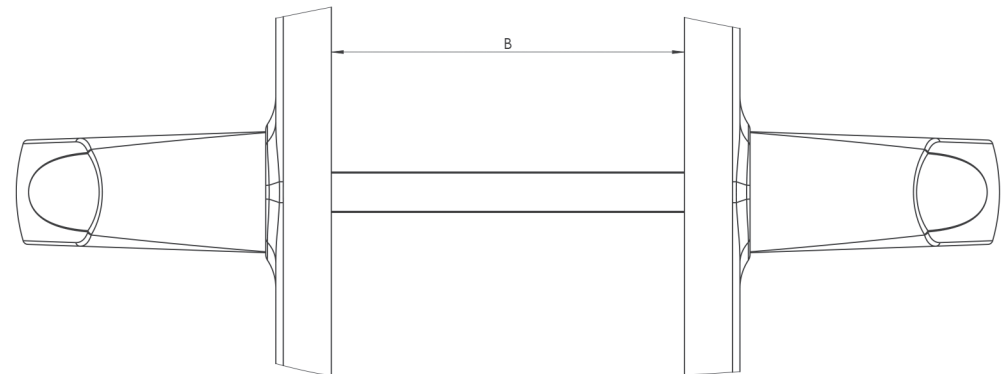




		<p>Pivot for double-sided door handle</p>
		<p>Pivot for door knob (mobile handle, solid knob)</p>
		<p>Milled pivot for double-sided door handle – the escutcheon can be mounted in a door with the distance L90mm between lock insert and the hole in the handle.</p>
		<p>Milled pivot for door-knob (mobile handle, solid knob) - the escutcheon can be mounted in a door with the distance L90mm between lock insert and the hole in the handle.</p>

Selection of the proper length of pivot depending on width of a profile:

LENGTH OF PIVOT A	WIDTH OF PROFILE B	
	B min.	B max
93 mm	45	65
108 mm	60	80
120 mm	72	92
140 mm	92	112
atypical A	A - 48	A - 28





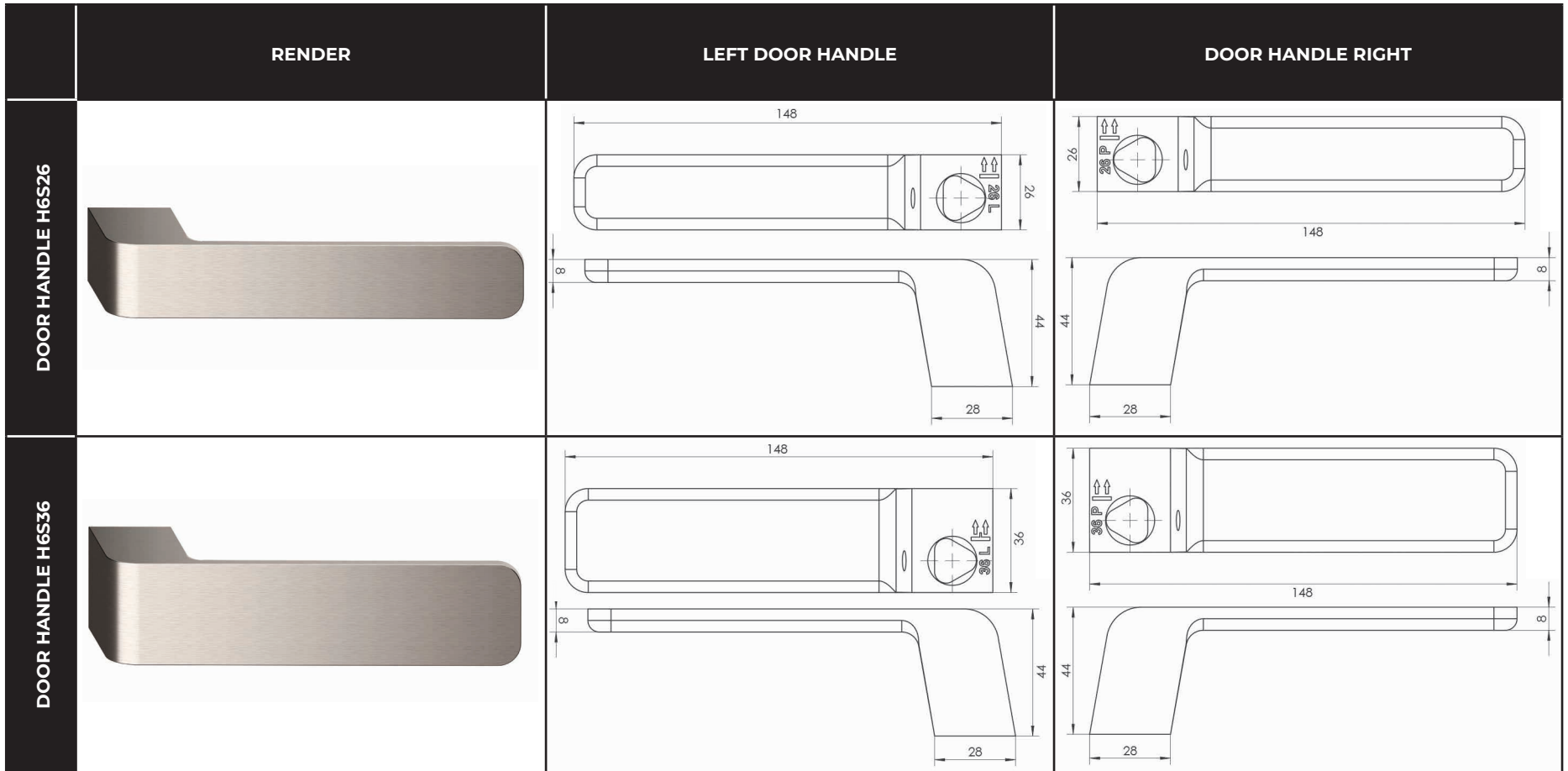
FIXING SETS

DOOR HANDLES AND KNOBS

FIXING SET	LENGTH OF PIVOT A	PICTURE	FIXING SET	LENGTH OF PIVOT A	PICTURE	FIXING SET	LENGTH OF PIVOT A	PICTURE
DOUBLE-SIDED DOOR HANDLE FIXING SET HI ESCUTCHEON	93		DOUBLE-SIDED DOOR HANDLE FIXING SET HI ESCUTCHEON L90	93		DOOR-KNOB FIXING SET HI ESCUTCHEON	93	
	108			108			108	
	120			120			120	
	atypical			atypical			atypical	
DOOR-KNOB FIXING SET HI ESCUTCHEON L90	93		DOUBLE-SIDED DOOR HANDLE FIXING SET SHORT ESCUTCHEON	93		SINGLE-SIDED DOOR HANDLE FIXING SET, HI, SHORT ESCUTCHEON	93	
	108			108			108	
	120			120			120	
	atypical			atypical			atypical	
DOUBLE-SIDED DOOR HANDLE FIXING SET H2/H3 ESCUTCHEON	93		DOUBLE-SIDED DOOR HANDLE FIXING SET H2/H3 ESCUTCHEON L90	93		DOOR-KNOB FIXING SET H2/H3 ESCUTCHEON	93	
	108			108			108	
	120			120			120	
	atypical			atypical			atypical	
DOOR-KNOB FIXING SET H2/H3 ESCUTCHEON L90	93		DOOR-KNOB FIXING SET SHORT ESCUTCHEON	93		SINGLE-SIDED DOOR HANDLE FIXING SET, H2 / H3 ESCUTCHEON	93	
	108			108			108	
	120			120			120	
	atypical			atypical			atypical	



- 7016
- 7021
- 7024
- 9005
- 8077
- 8019
- 8017
- 8003
- 9001
- 1036W
- 9010
- 9016
- 7035
- 9006
- SILVER
- ANODE NATURAL
- INOX COATING
- GOLD W3
- GOLD W4
- RAL
- C-35 ANODE BLACK F40



SINGLE-SIDED HANDLE				
DOOR SIDE	LEFT DOOR		RIGHT DOOR	
	INWARD OPENING	OPENING OUTSIDE	INWARD OPENING	OPENING OUTSIDE
INNER SIDE OF A DOOR	L	P	P	L
OUTER SIDE OF A DOOR	P	L	L	P

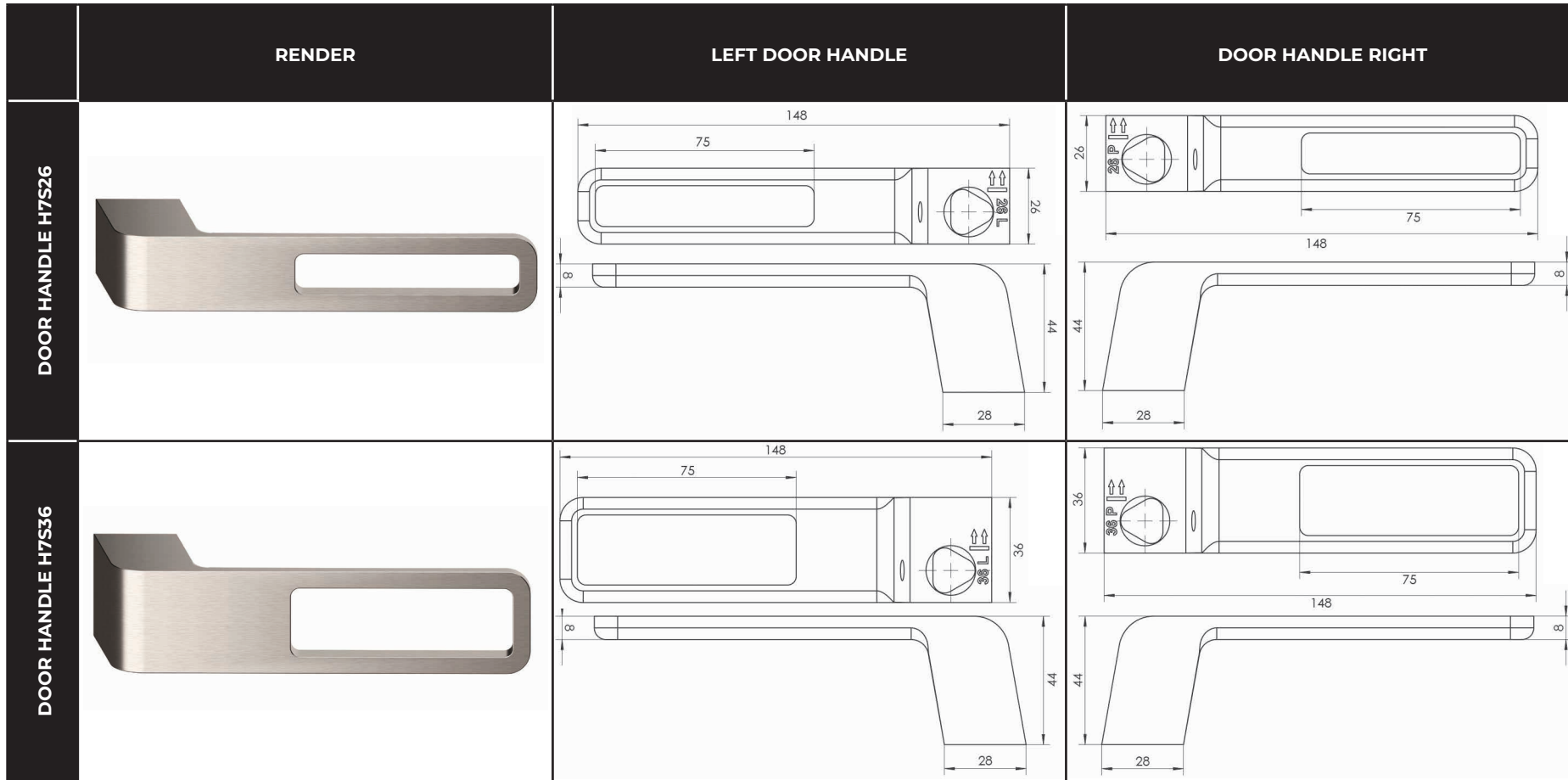
LENGTH OF PIVOT	WIDTH OF PROFILE	
	MIN	MAX
65 mm (standard)	65	80
93 mm	93	108





H7 DOOR HANDLE

DIMENSIONS / DOOR HANDLES AND KNOBS



- 7016
- 7021
- 7024
- 9005
- 8077
- 8019
- 8017
- 8003
- 9001
- 1036W
- 9010
- 9016
- 7035
- 9006
- SILVER
- ANODE NATURAL
- INOX COATING
- GOLD W3
- GOLD W4
- RAL
- C-35 ANODE BLACK F40

SINGLE-SIDED HANDLE				
DOOR SIDE	SINGLE-SIDED HANDLE		RIGHT DOOR	
	INWARD OPENING	OPENING OUTSIDE	INWARD OPENING	OPENING OUTSIDE
INNER SIDE OF A DOOR	L	P	P	L
OUTER SIDE OF A DOOR	P	L	L	P

LENGTH OF PIVOT	WIDTH OF PROFILE	
	MIN	MAX
65 mm (standard)	65	80
93 mm	93	108





7016



7021



7024



9005



8077



8019



8017



8003



9001



1036W



9010



9016



7035



9006



SILVER



ANODE
NATURAL



INOX
COATING



GOLD W3



GOLD W4

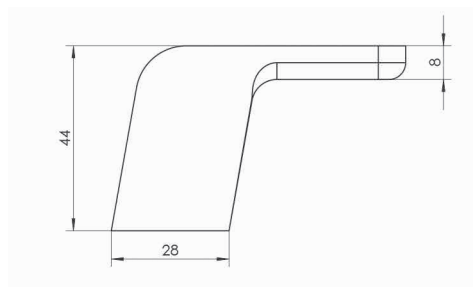
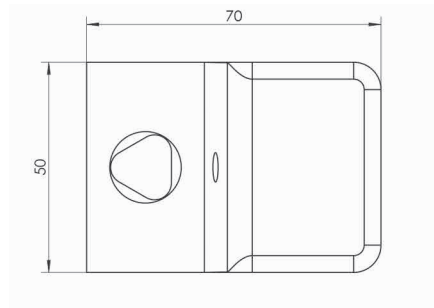


RAL



C-35 ANODE
BLACK F40

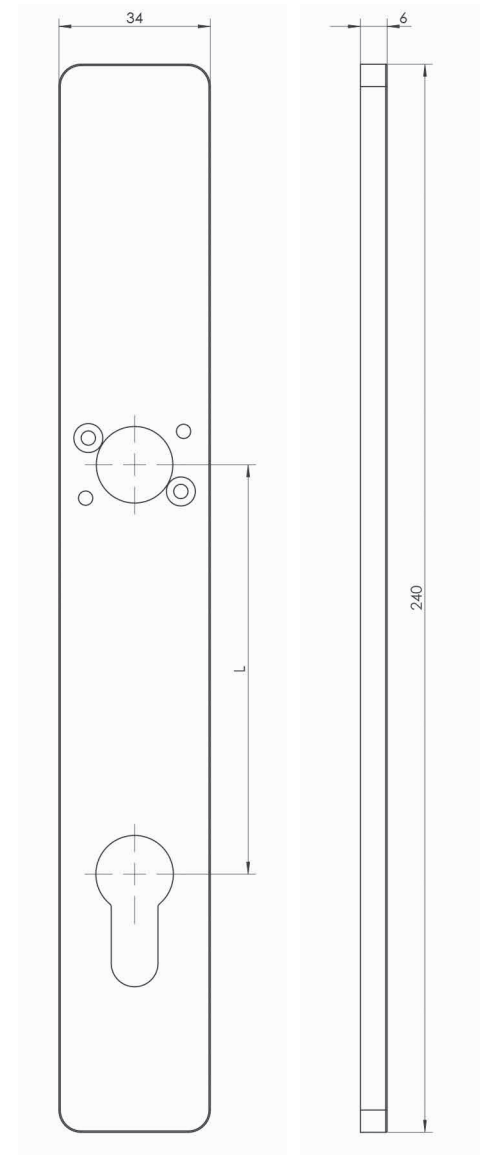
G5 KNOB





S5S34G6 ESCUTCHEON

LONG ESCUTCHEONS / DOOR HANDLES AND KNOBS



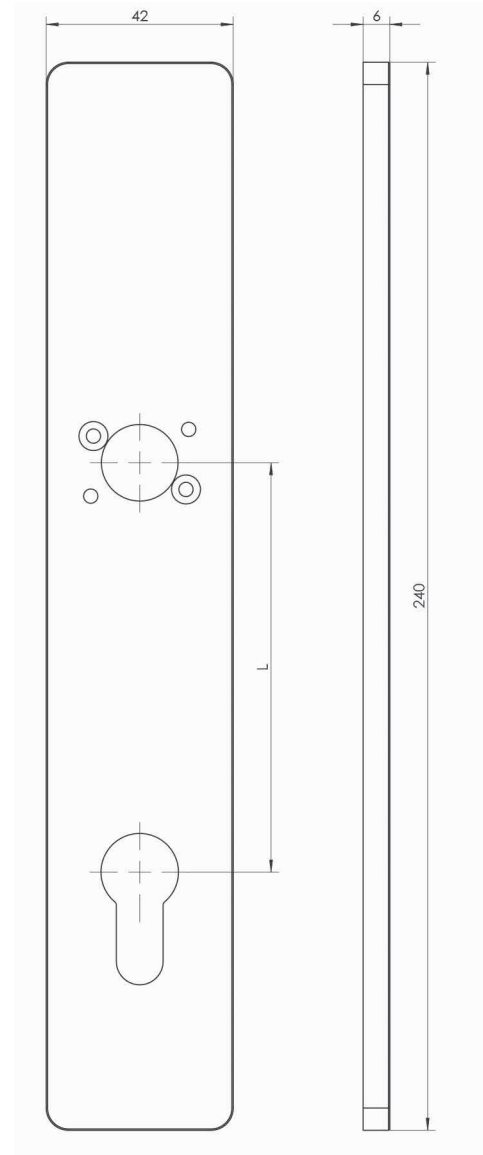
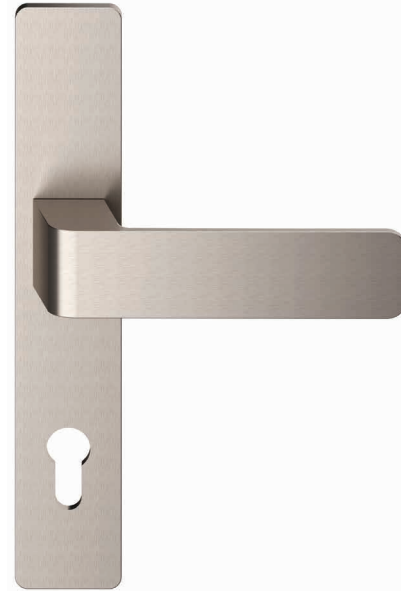
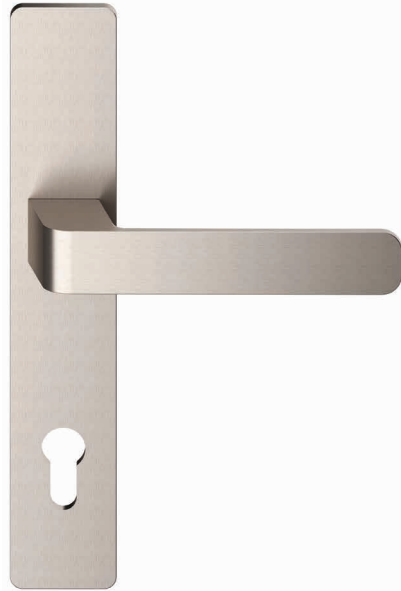
L - 92mm	standard
L - 90mm	individual order
L - 72mm	individual order

- 
7016
- 
7021
- 
7024
- 
9005
- 
8077
- 
8019
- 
8017
- 
8003
- 
9001
- 
1036W
- 
9010
- 
9016
- 
7035
- 
9006
- 
SILVER
- 
ANODE NATURAL
- 
INOX COATING
- 
GOLD W3
- 
GOLD W4
- 
RAL
- 
C-35 ANODE BLACK F40





-  7016
-  7024
-  8077
-  8017
-  9001
-  9010
-  7035
-  SILVER
-  INOX COATING
-  GOLD W4
-  C-35 ANODE
BLACK F40
-  7021
-  9005
-  8019
-  8003
-  1036W
-  9016
-  9006
-  ANODE NATURAL
-  GOLD W3
-  RAL



L - 92mm	standard
L - 90mm	individual order
L - 72mm	individual order

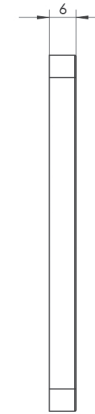
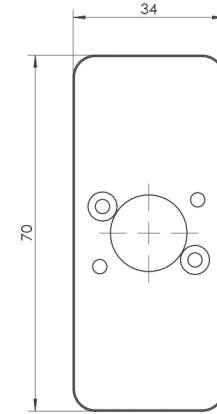
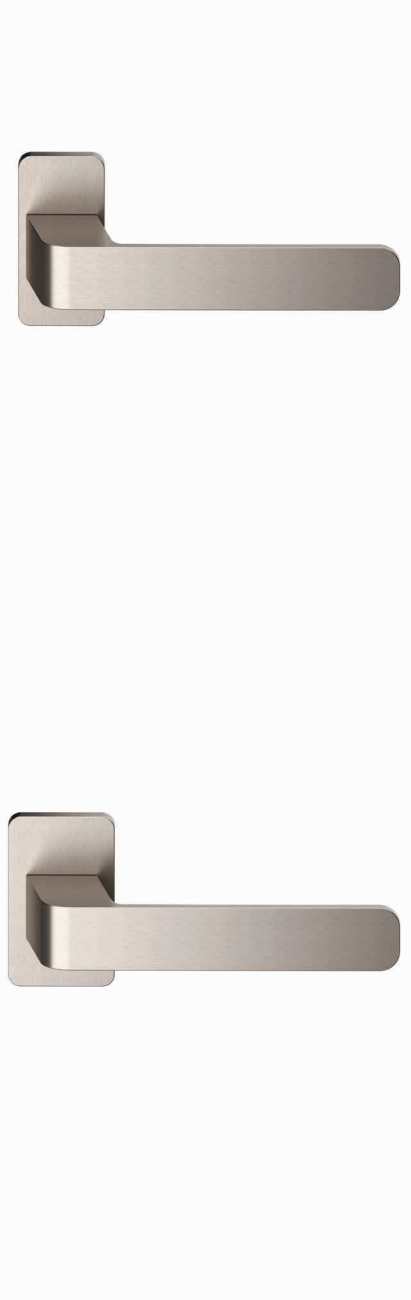




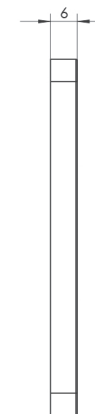
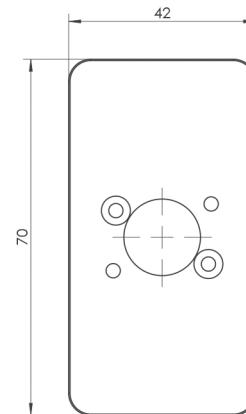
SK3 ESCUTCHEON

SHORT ESCUTCHEONS / DOOR HANDLES AND KNOBS

SK3S34G6



SK3S42G6

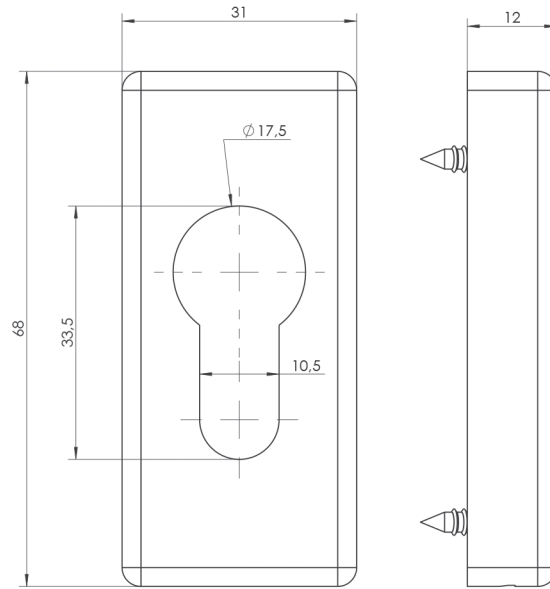


- | | |
|---------|----------------------|
| | |
| 7016 | 7021 |
| | |
| 7024 | 9005 |
| | |
| 8077 | 8019 |
| | |
| 8017 | 8003 |
| | |
| 9001 | 1036W |
| | |
| 9010 | 9016 |
| | |
| 7035 | 9006 |
| | |
| SILVER | ANODE NATURAL |
| | |
| RAL | INOX COATING |
| | |
| GOLD W3 | GOLD W4 |
| | |
| | C-35 ANODE BLACK F40 |

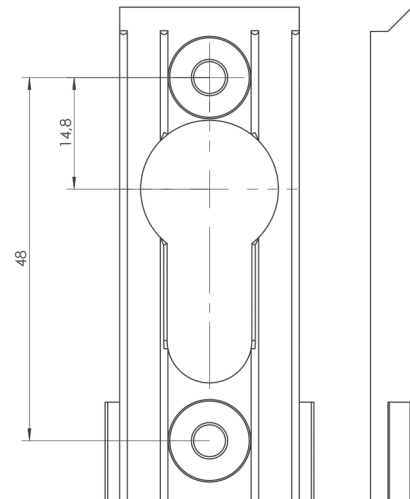
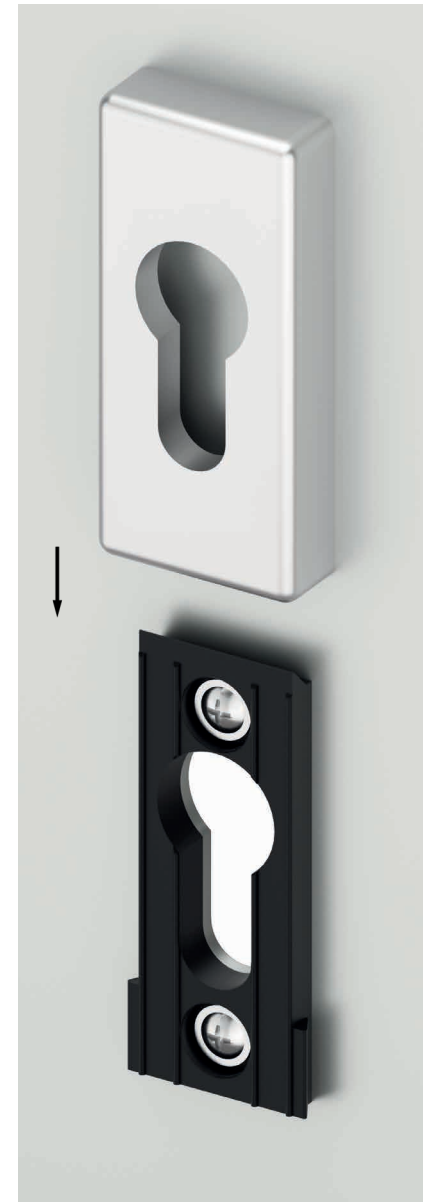




- | | |
|--------------|------------|
| | |
| 7016 | 7021 |
| | |
| 7024 | 9005 |
| | |
| 8077 | 8019 |
| | |
| 8017 | 8003 |
| | |
| 9001 | 1036W |
| | |
| 9010 | 9016 |
| | |
| 7035 | 9006 |
| | |
| SILVER | CHROME MAT |
| | |
| INOX COATING | GOLD W3 |
| | |
| GOLD W4 | RAL |



MOUNTING OF A SAFE ESCUTCHEON



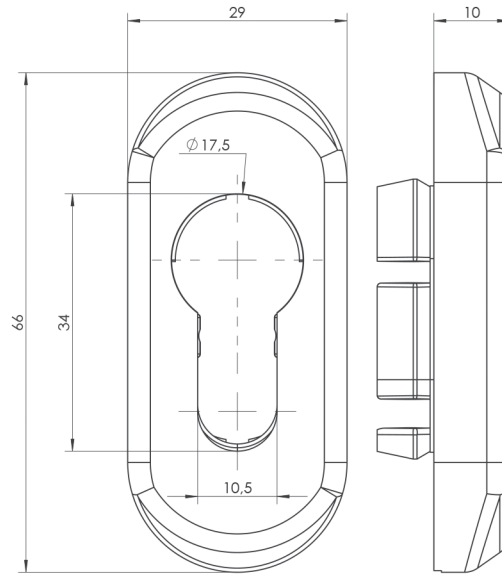


QUICK MONTAGE ESCUTCHEONS

LOCK INSERT ESCUTCHEONS



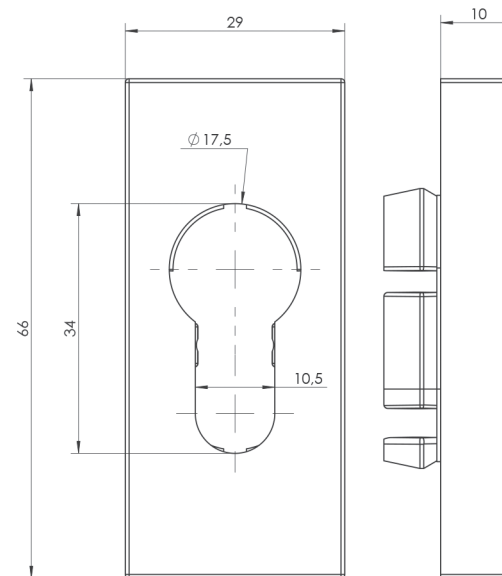
QUICK MONTAGE ESCUTCHEON OVAL



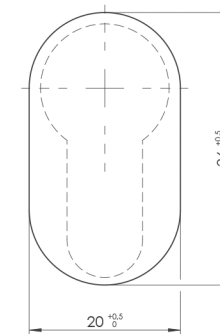
- | | | | |
|--|--------------|--|------------|
| | 7016 | | 7021 |
| | 7024 | | 9005 |
| | 8077 | | 8019 |
| | 8017 | | 8003 |
| | 9001 | | 1036W |
| | 9010 | | 9016 |
| | 7035 | | 9006 |
| | SILVER | | CHROME MAT |
| | INOX COATING | | GOLD W3 |
| | GOLD W4 | | RAL |



QUICK MONTAGE ESCUTCHEON RECTANGULAR



TOOLING IN PROFILE FOR A QUICK MONTAGE ESCUTCHEON



LOCK INSERT ESCUTCHEONS

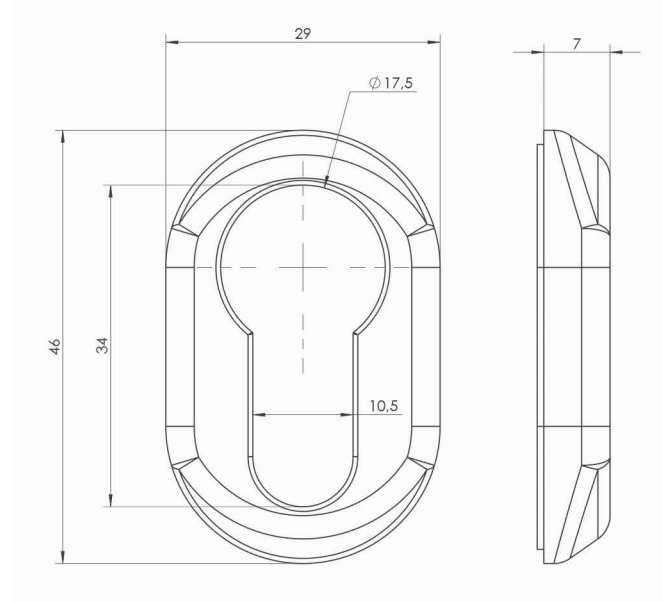
GLUE-ON ESCUTCHEON



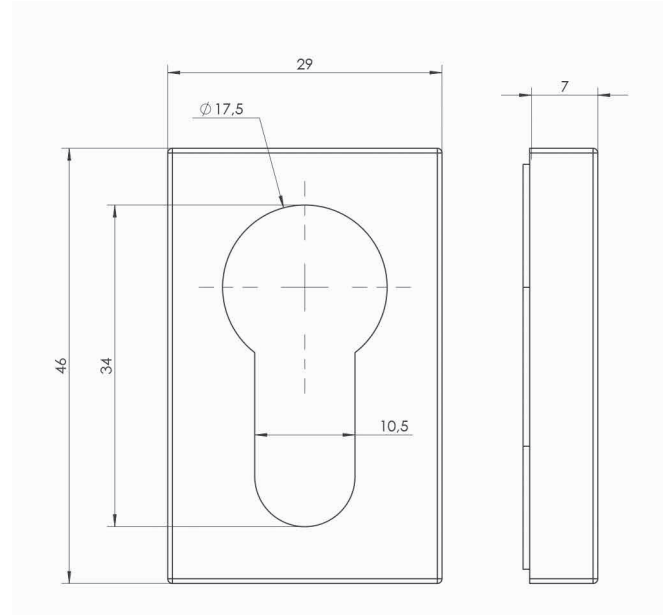
- | | |
|--------------|------------|
| | |
| 7016 | 7021 |
| | |
| 7024 | 9005 |
| | |
| 8077 | 8019 |
| | |
| 8017 | 8003 |
| | |
| 9001 | 1036W |
| | |
| 9010 | 9016 |
| | |
| 7035 | 9006 |
| | |
| SILVER | CHROME MAT |
| | |
| INOX COATING | GOLD W3 |
| | |
| GOLD W4 | RAL |



GLUE-ON ESCUTCHEON
OVAL



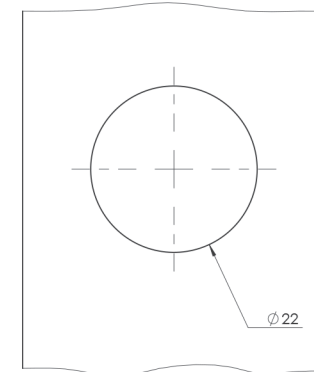
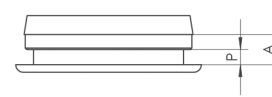
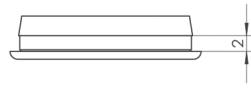
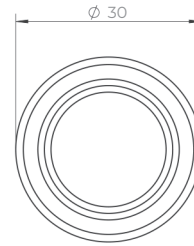
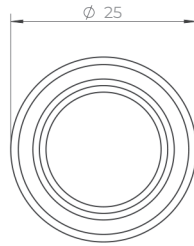
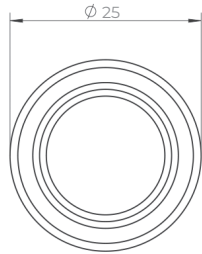
GLUE-ON ESCUTCHEON
RECTANGULAR





RING LOCK INSERT

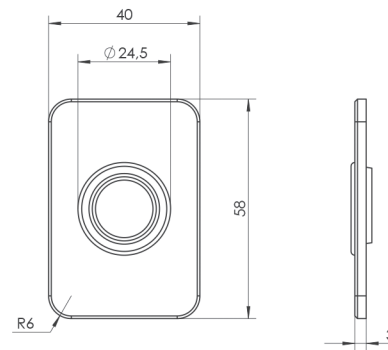
LOCK INSERT ESCUTCHEONS



TOOLING IN PROFILE FOR A RING LOCK INSERT

TYPE OF A RING LOCK INSERT	A	P (PANEL)
RING LOCK INSERT 2mm - WITHOUT PANEL	-	-
RING LOCK INSERT 4mm - PANEL 2mm	4	2
RING LOCK INSERT 5mm - PANEL 3mm	5	3
RING LOCK INSERT 5mm - PANEL 3mm Ø30	5	3

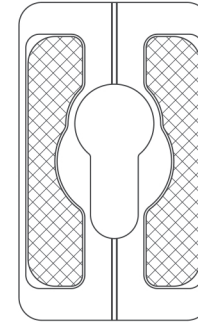
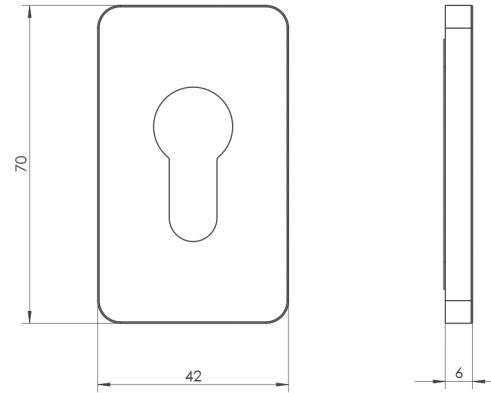
GLUE-ON RING ESCUTCHEON FOR PANEL



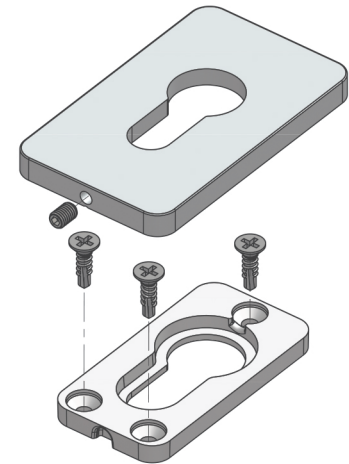
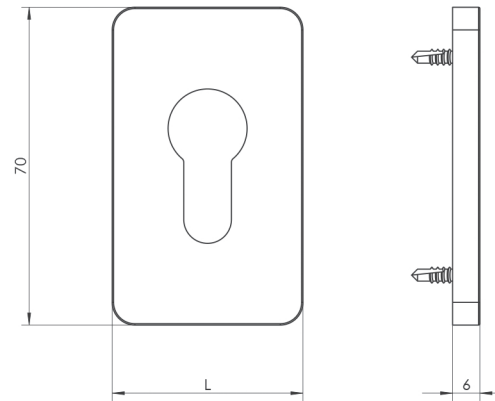


SZ4 GLUE-ON

- 7016
- 7021
- 7024
- 9005
- 8077
- 8019
- 8017
- 8003
- 9001
- 1036W
- 9010
- 9016
- 7035
- 9006
- SILVER
- ANODE NATURAL
- INOX COATING
- GOLD W3
- GOLD W4
- RAL
- C-35 ANODE BLACK F40



SZ5 SCREWED



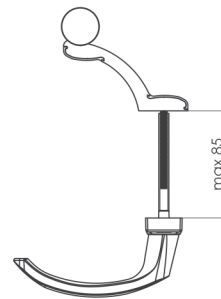
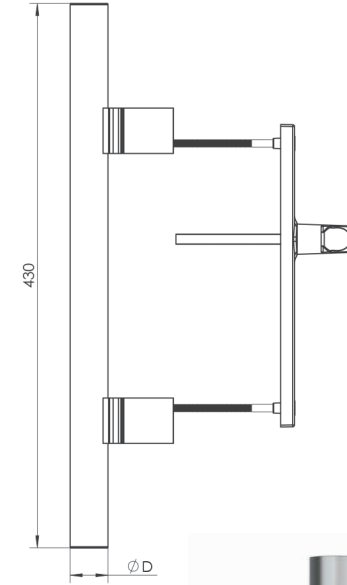
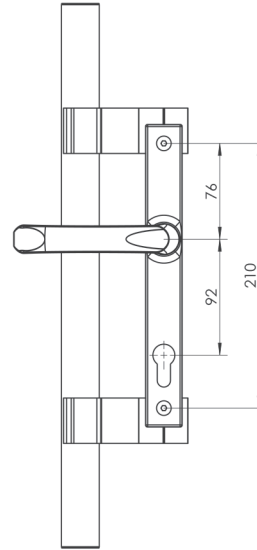
ESCUTCHEON	L [mm]
SZ5S34G6	34
SZ5S42G6	42





KU1

DOOR PULL HANDLE / OTHER



PRODUCT	ØD
KU1 DOOR PULL HANDLE Ø30	30
KU1 DOOR PULL HANDLE Ø40	40



TUBE



STEEL 304



BRUSHED

DOOR HANDLE,
ESCUTCHEON, SCREW

-  7016
-  7021
-  7024
-  9005
-  8077
-  8019
-  8017
-  8003
-  9001
-  1036W
-  9010
-  9016
-  7035
-  9006
-  SILVER
-  CHROME MAT
-  INOX COATING
-  GOLD W3
-  GOLD W4
-  RAL





WALA Sp. z o.o.
ul. Parkowa 16
43-365 Wilkowice
tel. +48 33 82 72 390
wala@wala.pl
www.wala.pl