



HINGES
FOR PVC

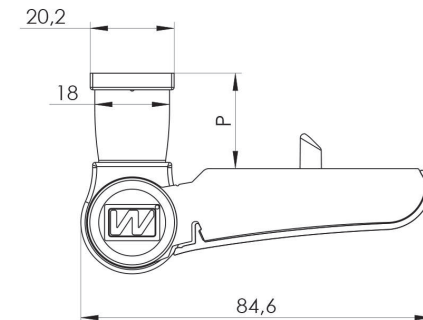
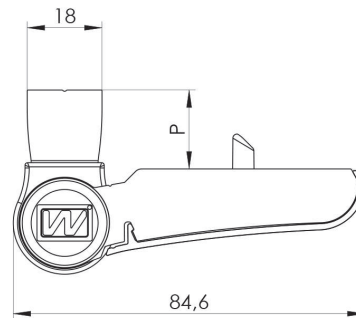
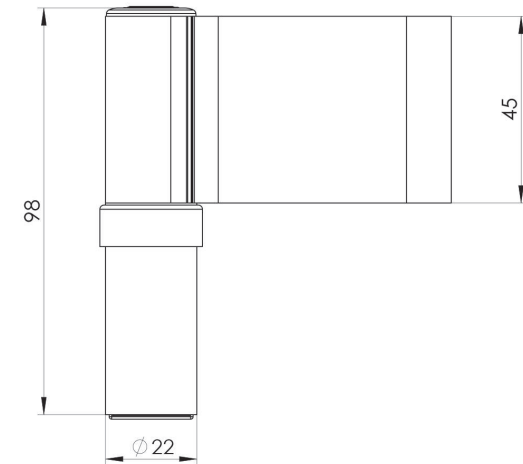
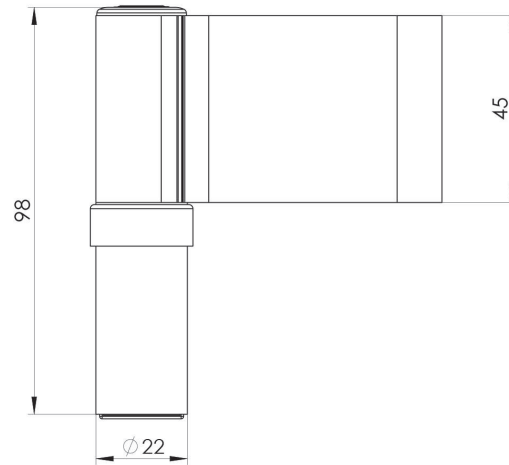




HINGE
FOR PVC
AXS



PVC HINGES AXS



P – upstand in „0” position:
 AXS 17... – 17mm (14 - 20mm)
 AXS 19... – 19mm (16 - 22mm)
 AXS 21... – 21mm (18 - 24mm)

Due to the application the 3mm distance plate,
 the upstand 20mm, 22mm and 24mm can be achieved.





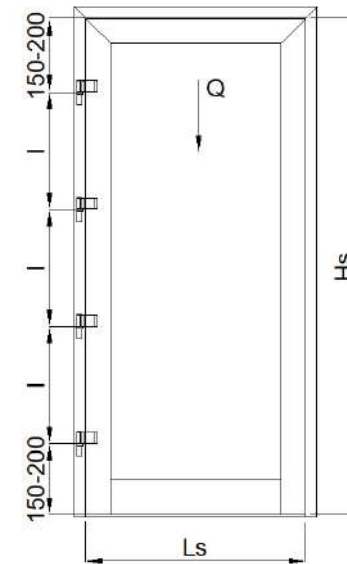
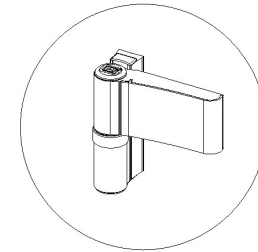
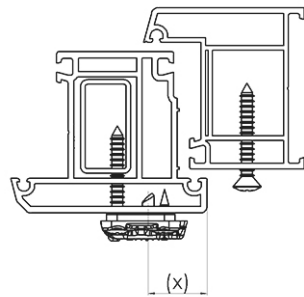
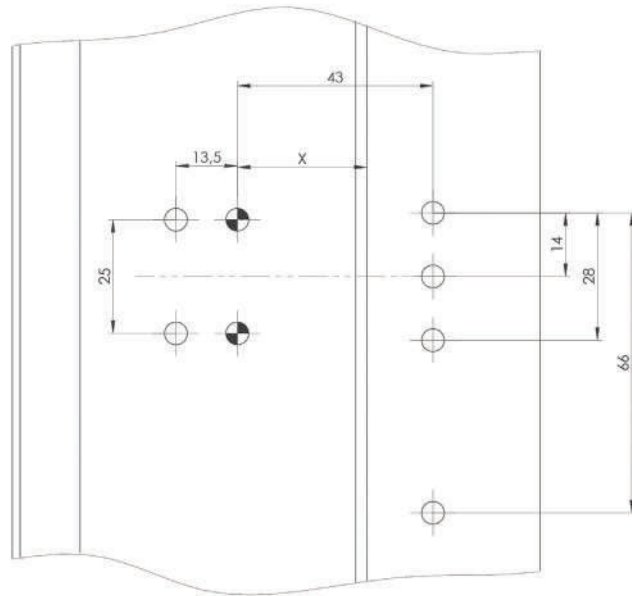
ASSEMBLY ELEMENTS
OF A DOOR FRAME



ASSEMBLY ELEMENTS
OF A DOOR SASH

PVC HINGES AXS

TOOLING IN PROFILE



LOAD SELECTION AXS

If the distance between hinges in the middle of a door exceeds 1500mm, we suggest using additional hinge which caulks the door.



Private building




Public building





Door closer



2-wing hinge

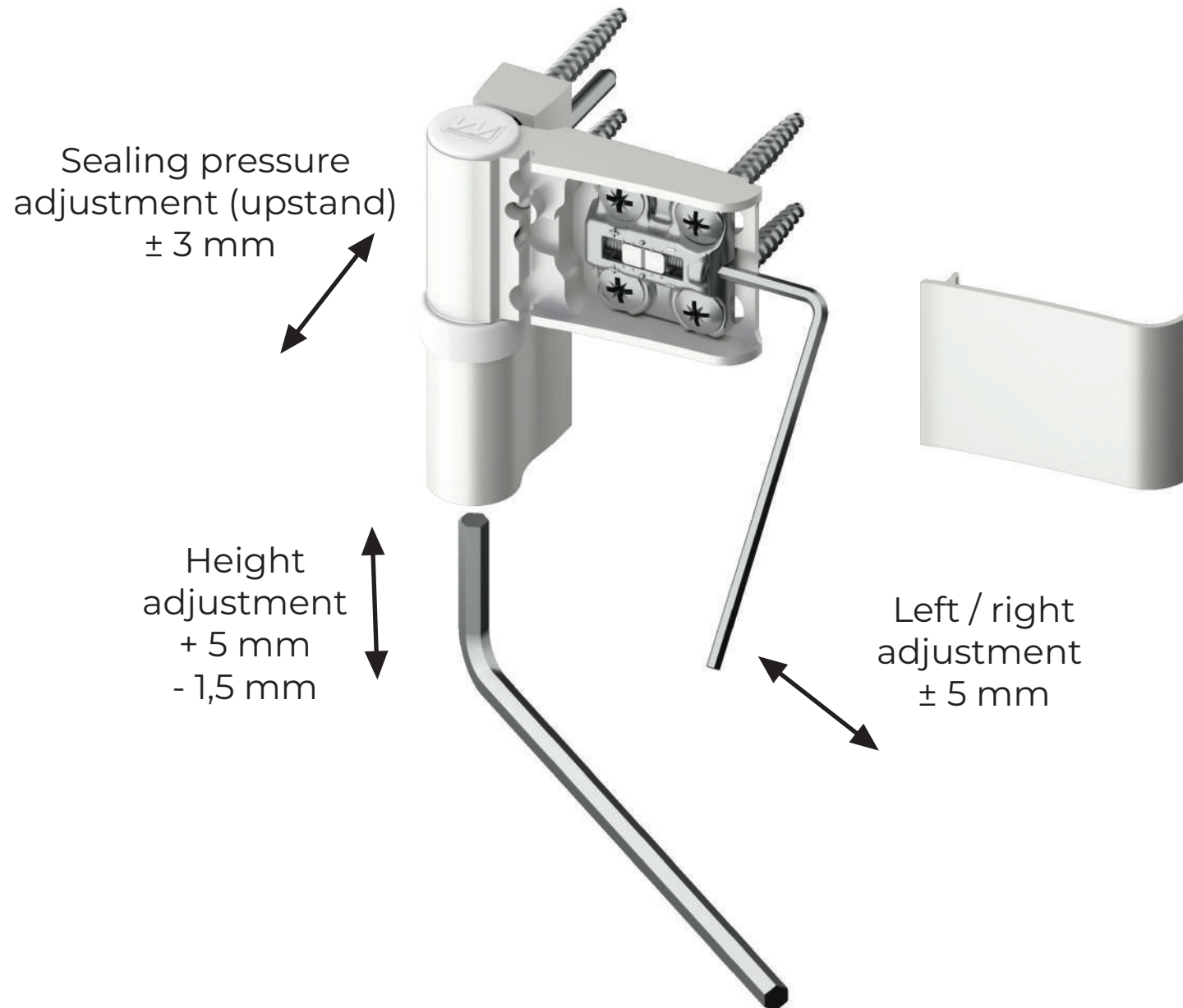
	W	S	800	900	1000	1100	1200
			2000	100	90	80	70
2100	110	100	90	80	70		
2200	120	110	100	90	80		
2300	130	120					
2400	130	120					
2500	120	110	110	100	90		
2600							
2700							
2800							
2900							
3000							

	W	S	800	900	1000	1100	1200
			2000	135	125	110	100
2100	135	130	120	105	100		
2200	135	135	130	115	105		
2300	135	135	135		115		
2400	135	135					
2500	125		125	125	110		
2600							
2700							
2800							
2900							
3000							

	W	S	800	900	1000	1100	1200
			2000	100	90	80	70
2100	110	100	90	80	70		
2200	120	110	100	90	80		
2300	130	120					
2400	130	120					
2500	120	110	110	100	90		
2600							
2700							
2800							
2900							
3000							



ADJUSTMENT FOR HINGES AXS

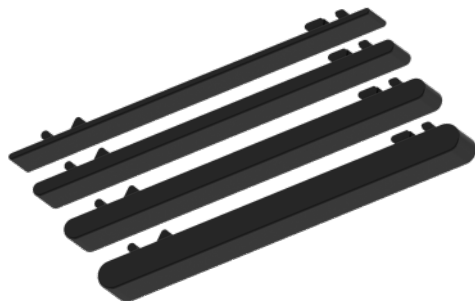


PATTERNS FOR DRILLING AXS

AXS



DISTANCE THICKNESS A	VALUE X
2 mm	34 mm
4 mm	32 mm
6 mm	30 mm
8 mm	28 mm



TRIPLE TEMPLATE







WALA Sp. z o.o.
ul. Parkowa 16
43-365 Wilkowice

wala@wala.pl
tel. +48 33 82 72 390
kom. +48 725 70 80 30
www.wala.pl

