



SURFACE
HINGES



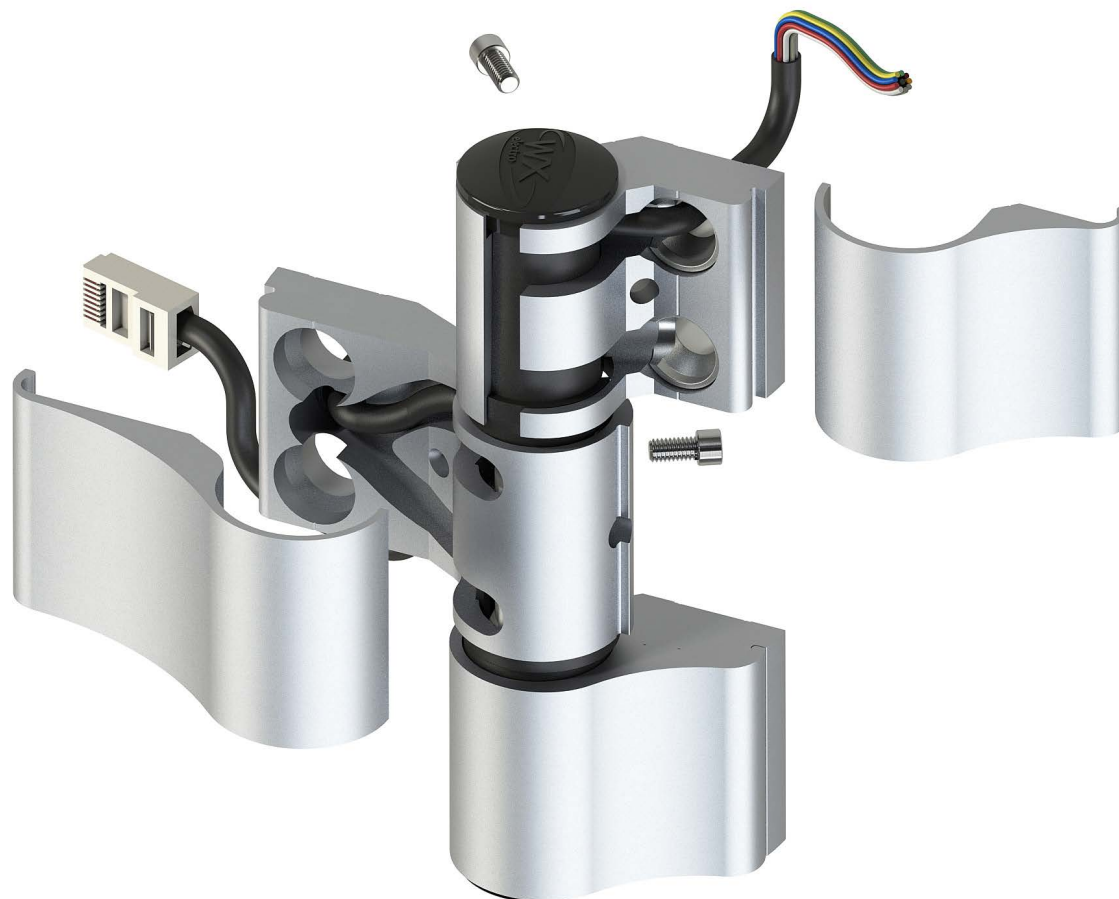


SURFACE
HINGE
ELECTRO
WX

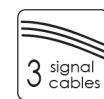
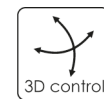


SURFACE HINGES WX ELECTRO

WX ELECTRO Hinge is intended to transfer ICT signals from the door frame to the door leaf. The signal can be transmitted via a 3-core cable with a cross-section of 0.5 or a 10-core cable with a cross-section of 0.14. Thanks to this, it is suitable for LAN computer networks, to supply LED lighting or handles with e-line components, replacing commonly used cable glands.



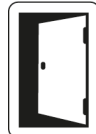
- | | |
|----------------------|---------------------|
| | |
| 7016 | 7021 |
| | |
| 7024 | 9005 |
| | |
| 8077 | 8019 |
| | |
| 8017 | 8003 |
| | |
| 9001 | 1036W |
| | |
| 9010 | 9016 |
| | |
| 7035 | 9006 |
| | |
| ANODE NATURAL | INOX COATED |
| | |
| RAL | GOLDEN ELECTROPOLER |
| | |
| GOLD W3 | GOLD W4 |
| | |
| GOLDEN OAK | WALNUT |
| | |
| C-35 ANODE BLACK F40 | |
| | |
| PLASTIC BLACK | PLASTIC WHITE |



SURFACE HINGES WX ELECTRO

FOR USE IN EMERGENCY EXIT DOORS

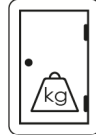
WX ELECTRO HINGE CLASSIFICATION EN 1935:2002 + EN 1935:2002/AC:2003



4/4 - SERVICE CLESSES



7/7 - DURABILITY



7/7 - WEIGHT OF TEST DOOR



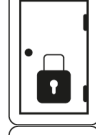
0/1 - FIRE RESISTANCE



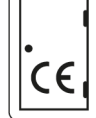
1/1 - SECURITY



3/4 - CORROSION RESISTANCE



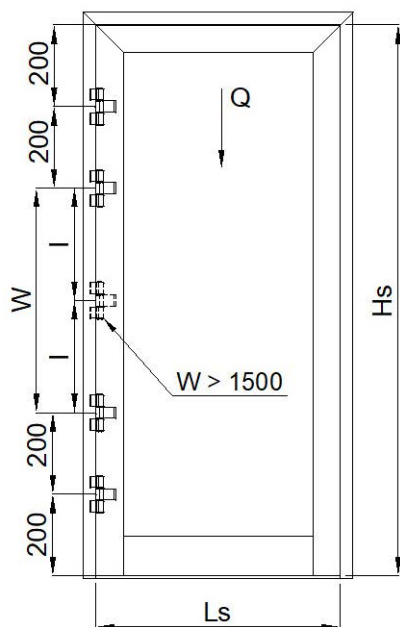
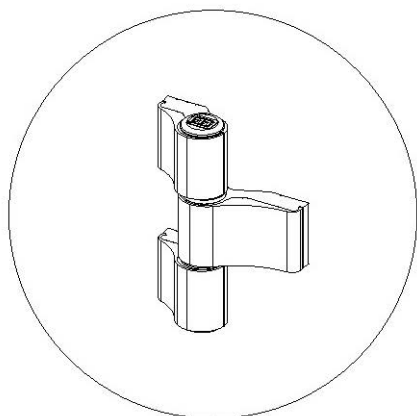
1/1 - INTRUSION PROTECTION



14/14 - HINGE CLASS



MOUNTING SETS FOR HURFACE HINGES WX ELEKTRO



PROFILE WITHOUT THERMAL BARRIER (COLD)		MOUNTING SETS FOR PROFILE WITH THERMAL BARRIER (WARM)	
WX80104710E	WX80SU4710E	WX80SD4990E (INOX)	WX80104990E
5 x M8x25 screw 5 x positioning sleeve 1 x WN block electro 1 x long WN block	5 x positioning screw 1 x WN block electro 1 x long WN block	5 x quick- fastening screw 58,5mm	5 x M8x53 screw 5 x positioning sleeve 5 x dowel sleeve TKO



WALA Sp. z o.o.
ul. Parkowa 16
43-365 Wilkowice

wala@wala.pl
tel. +48 33 82 72 390
kom. +48 725 70 80 30
www.wala.pl

