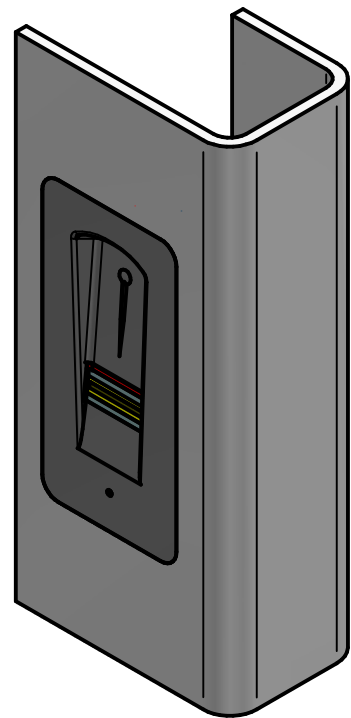
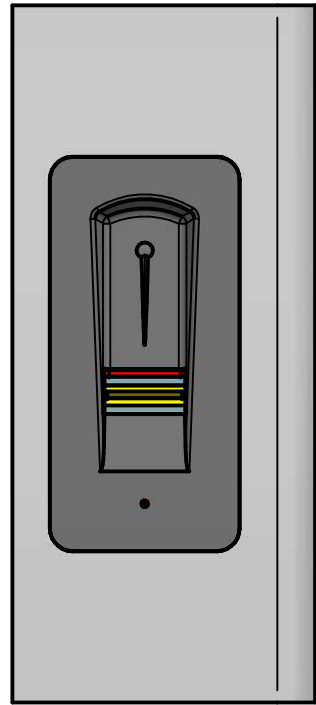
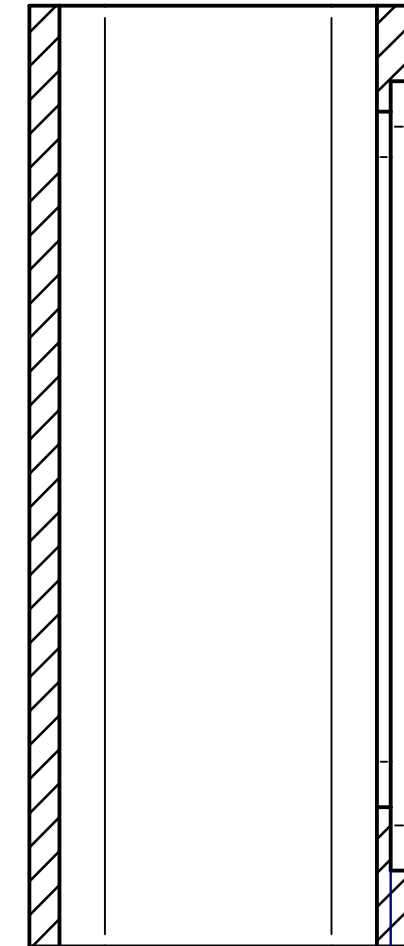
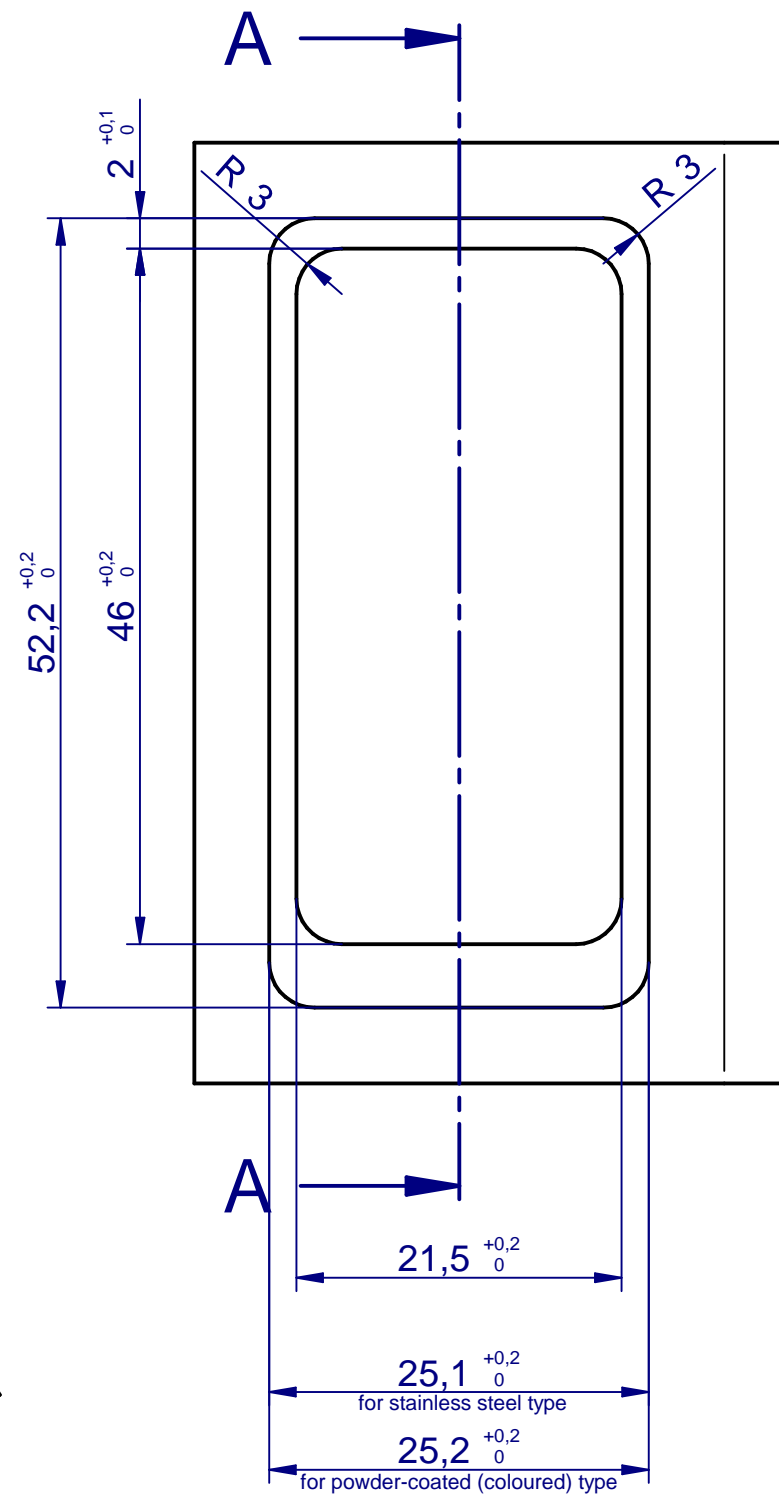
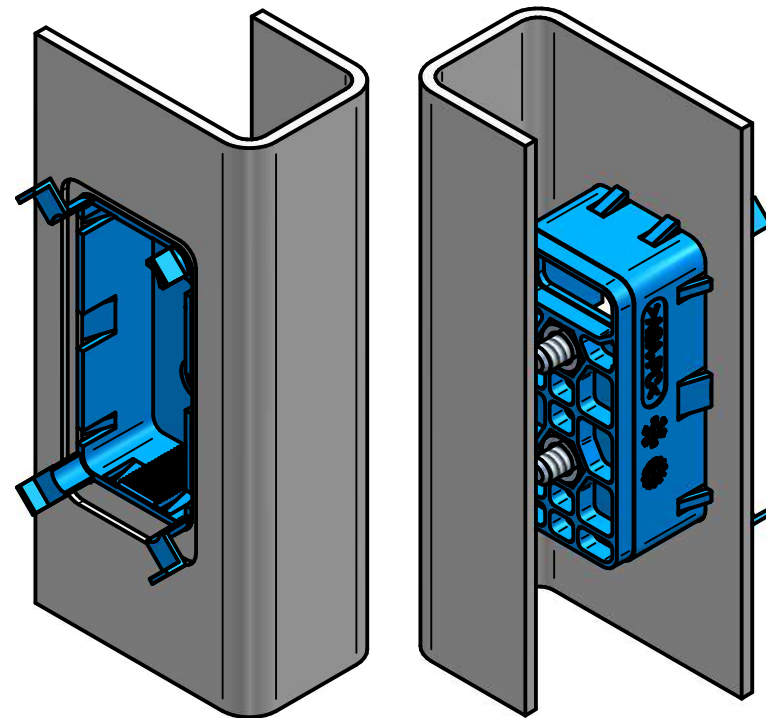
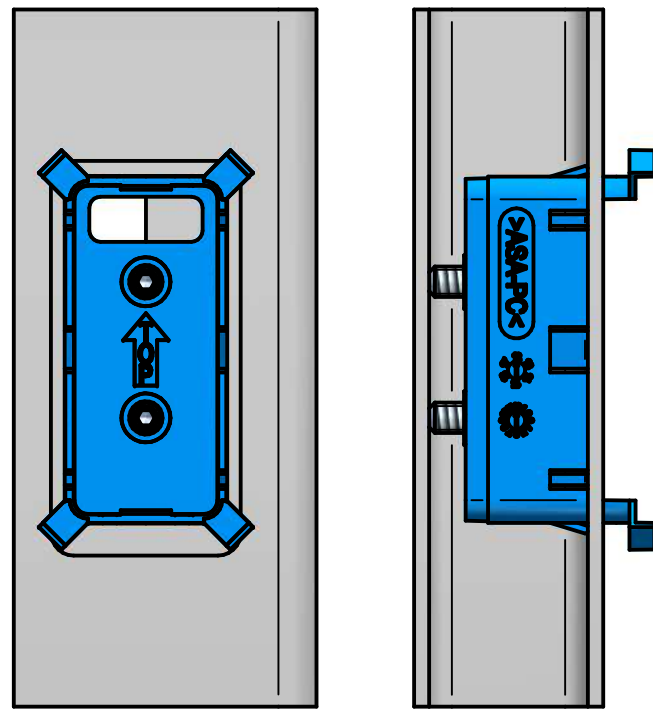


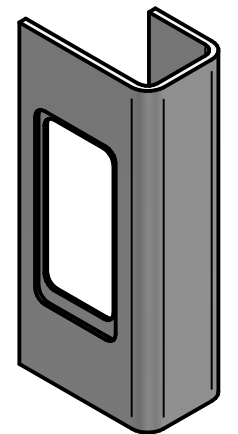
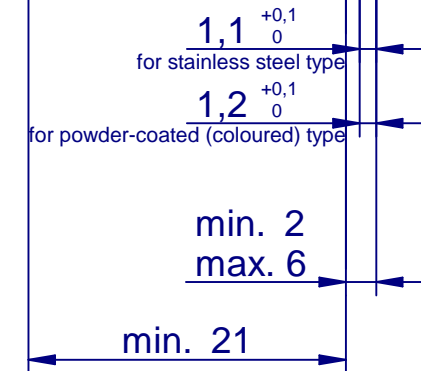
Installation of the registration unit Einbau Erfassungseinheit



Installation of the mounting box Einbau Montagekorb



Section
view A-A
2:1



				general tolerance ISO 2768-mK	edge ISO 13715	Scale: 1:1	Weight: 0,000 kg
				toleration acc. to ISO 8015		Material:	
Revision				Date	Name	Title:	
				Drawn	09.10.2015	P. Holzer	Routing drawing for profile doors (push handles) Fräszeichnung für Profiltüren ekey FS arte 52x25 screw-on type ekey FS arte 52x25 Schraubvariante
				Check	12.10.2015	G. Peham	
				Rel	19.11.2015	PM	
				Project:		Drawing No.:	
01	initial version	19.11.2015	P. Holzer			Sheet: 1	
Rev.	Description	Date	Author			of: 1	
						Size: A3	