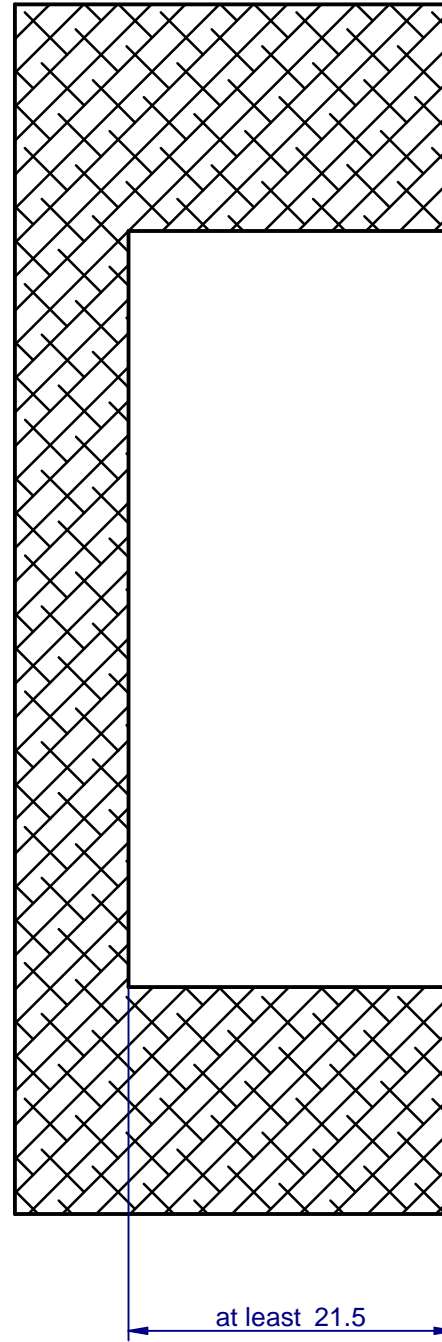
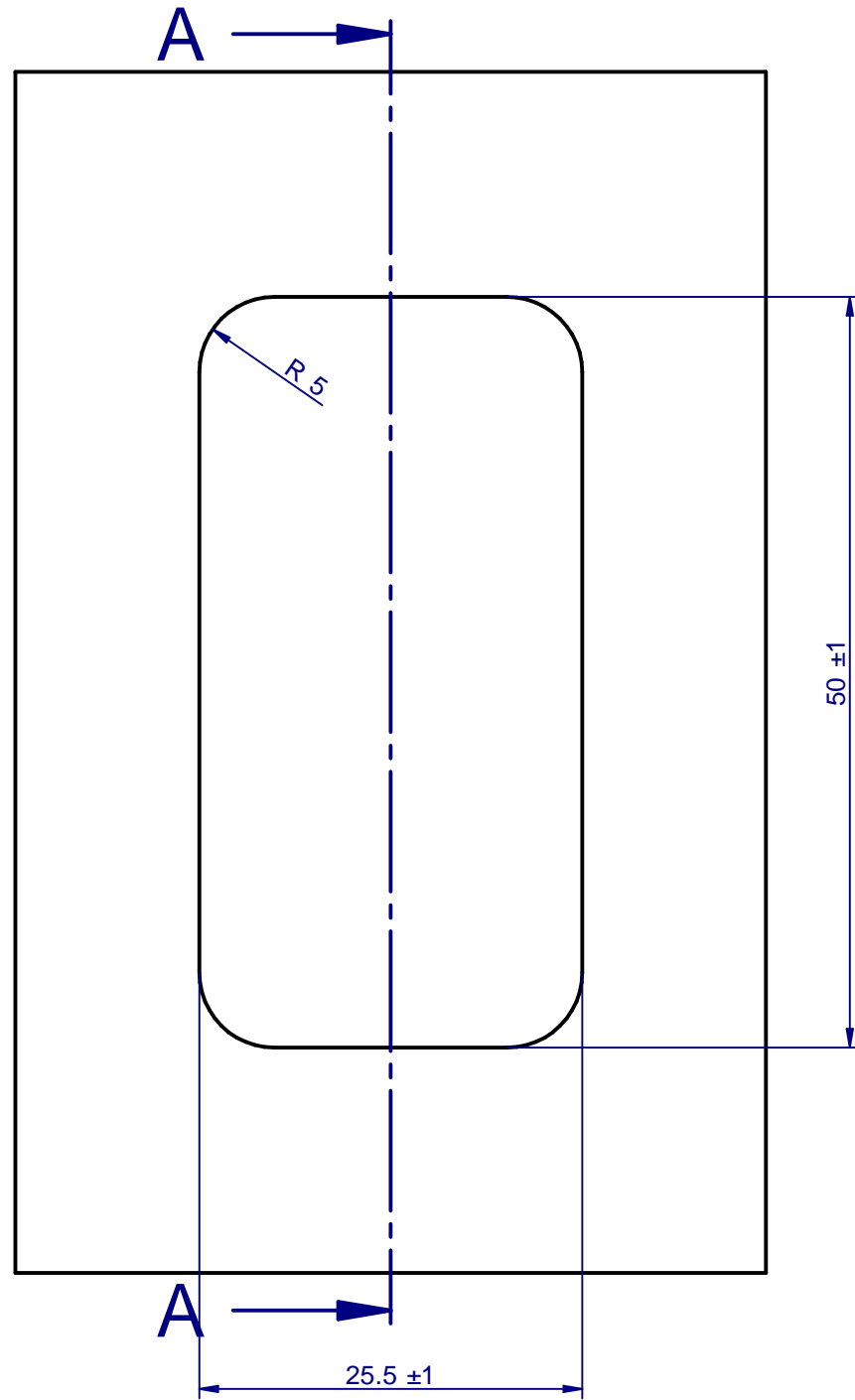
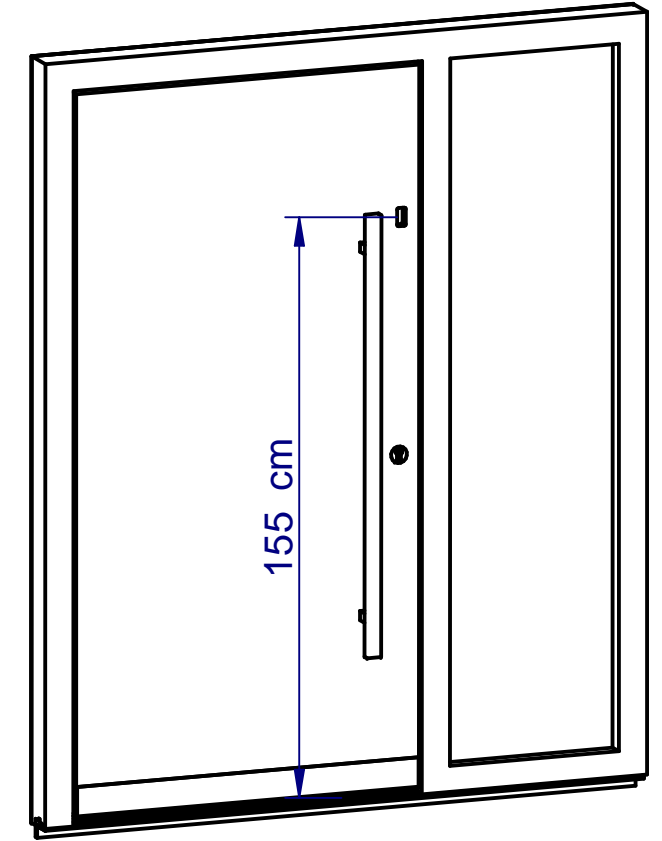


Section A-A



Fingerprint scanner:
recommended mounting height 155 cm



Additional comments /
Zusatzinformationen

Non-dimensioned radii /
Nicht bemaßte Radien = Rx,x

All visible surfaces have to be free of surface defects /
Sämtliche Sichtflächen müssen frei von Oberflächendefekten sein

for missing dimensions please check 3D-data - 3D-data are generally binding /
Fehlende Maße bitte den 3D-Daten entnehmen, 3D-Daten generell bindend

				general tolerance ISO 2768-mK	edge ISO 13715	Scale: 2:1	Weight: 0,242 kg
				toleration acc. to ISO 8015		Material: -	
Revision				Date	Name	Part name:	
				Drawn 19.01.2021	holzcl	milling drawing door leaf attached	
				Check. -	-		
				Rel. -	-		
				Project No.: P-00175		Drawing No.:	
				Part No.: -		0040_032	
Rev.	Description	Date	Author			Sheet: 1	
						of: 1	
						Size: A3	