

# WIRING DIAGRAM

Title: Wiring diagram for door manufacturers/electricians

Document: ekey\_integra\_ISEO\_x1R\_ekeyCT

ID: 175/461/0/305 Version: 2, 13.08.2015

## NOTICE

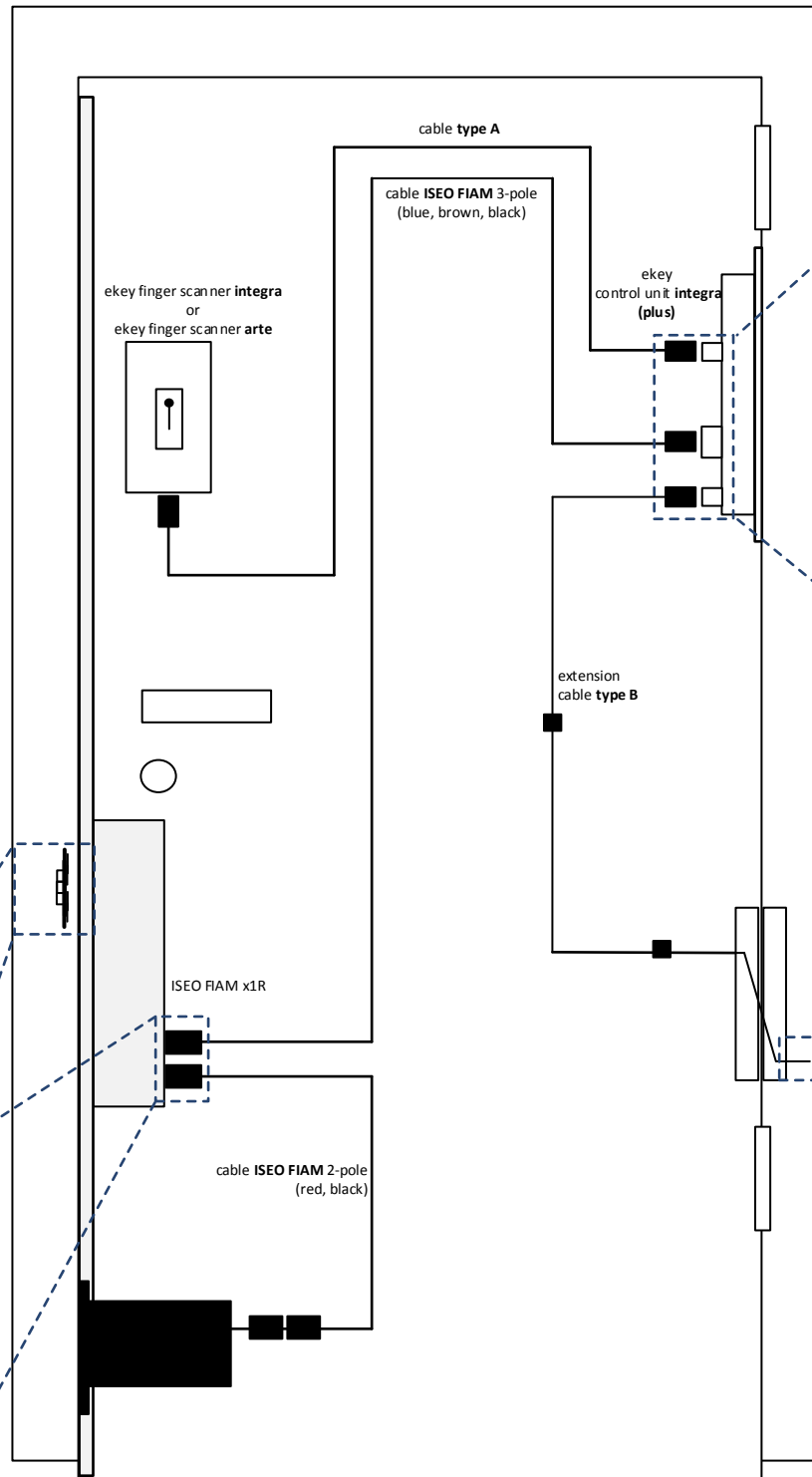
This wiring diagram is not subject to updating. Subject to optical and technical modifications, any liability for errors and misprints excluded.

## ⚠ DANGER

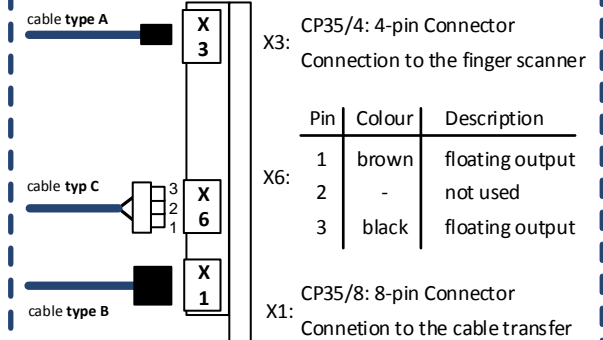
Dangerous electric voltage.  
Only certified electricians are authorised to carry out the electrical installation!

## LEGEND

- ... Finger scanner *integra*
- ... Finger scanner *integra BT*
- ... Finger scanner *arte*
- ... Cable transfer 100 880  
100 881  
101 561
- ... Motorised lock ISEO FIAM x1R
- ... Battery case
- ... Control panel *integra*
- ... Control panel *integra plus*
- ... Cable connection

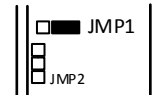


## CONNECTION TO THE CONTROL PANEL

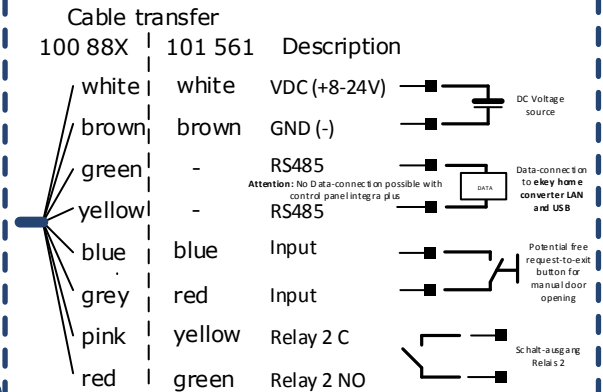


## NOTICE

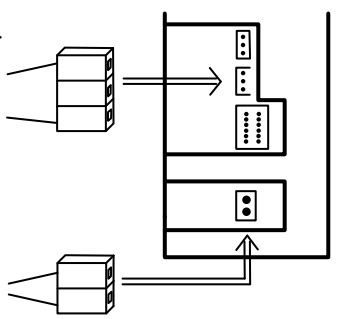
Operation of the relay 1 has to be set to "floating" by JP1 (Position JP1: 2-3)



## WIRING DIAGRAM FOR ELECTRICIANS



## CONNECTION TO THE MOTORISED LOCK



## NOTICE

Each unused core must be insulated separately!