

# WIRING DIAGRAM

Title: Wiring diagram for door manufacturers/electricians

Document: ekey\_integra\_GU\_Secury\_Automatic\_ekeyCT

ID: 67/469/0/315 Version: 6, 22.09.2015



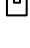





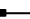
## NOTICE

This wiring diagram is not subject to updating. Subject to optical and technical modifications, any liability for errors and misprints excluded.

## ⚠ DANGER

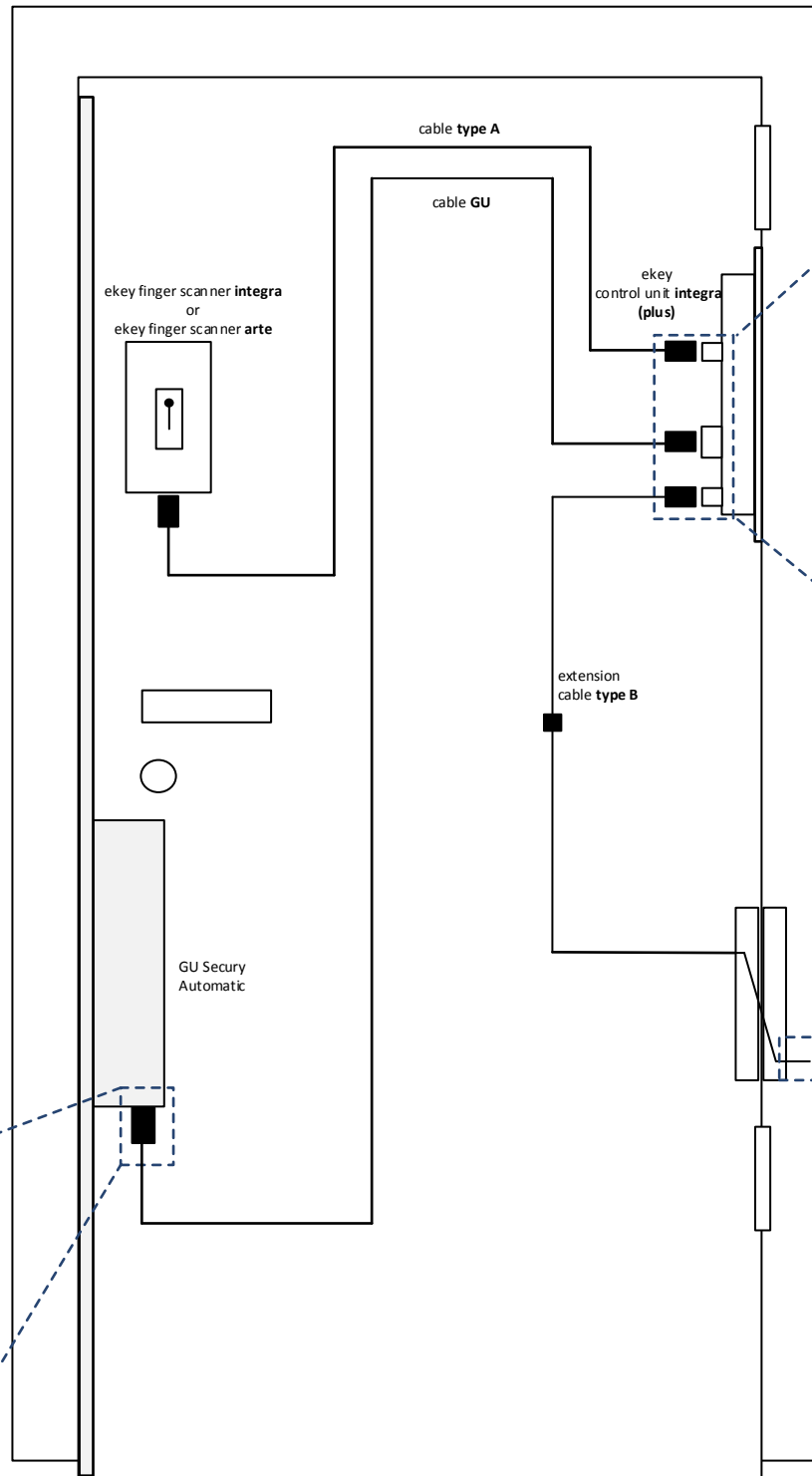
Dangerous electric voltage. Only certified electricians are authorised to carry out the electrical installation!

## LEGEND

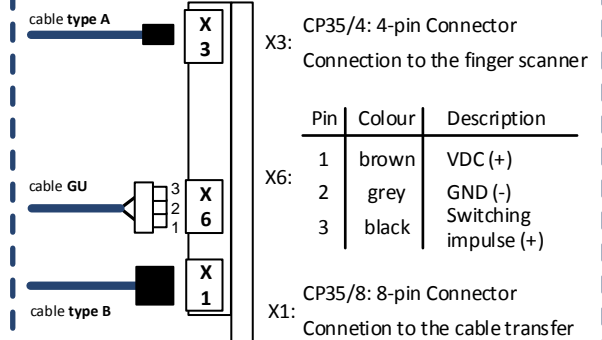
-  ... Finger scanner *integra*
-  ... Finger scanner *integra BT*
-  ... Finger scanner *arte*
-  ... Cable transfer 100 880  
100 881  
101 561
-  ... Motorised lock GU Secury Automatic  
Schüco SafeMatic
-  ... Battery case
-  ... Control panel *integra*
-  ... Control panel *integra plus*
-  ... Cable connection

### CONNECTION TO THE MOTORISED LOCK

Pin	Colour	Description
3	black	Switching impulse (+)
2	grey	GND (-)
1	brown	VDC (+)

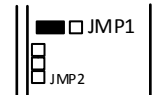


### CONNECTION TO THE CONTROL PANEL

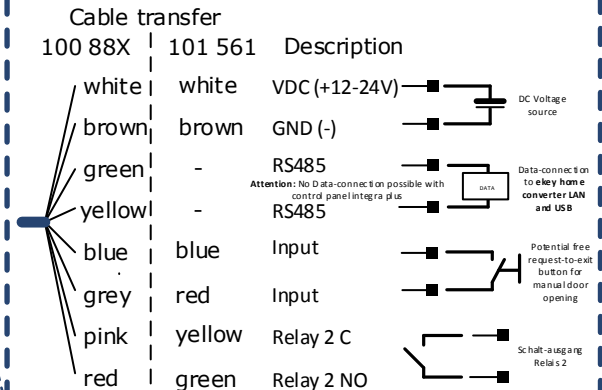


## NOTICE

Operation of the relay 1 has to be set to "Switching voltage" (= Factory setting) by JP1 (Position JP1: 1-2)



### WIRING DIAGRAM FOR ELECTRICIANS



## NOTICE

Each unused core must be insulated separately!