

WIRING DIAGRAM

Title: ekey FS IN/Arte & SE IN(+) & ekey CT_WH blueMatic

Document: ekey_integra_Winkhaus_AV2_ekeyCT

ID: 75/515/0/374 Version: 5, 29.06.2016



NOTICE

This wiring diagram is not subject to updating. Subject to optical and technical modifications, any liability for errors and misprints excluded.

⚠ DANGER

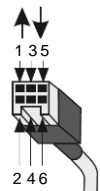
Dangerous electric voltage. Only certified electricians are authorised to carry out the electrical installation!

LEGEND

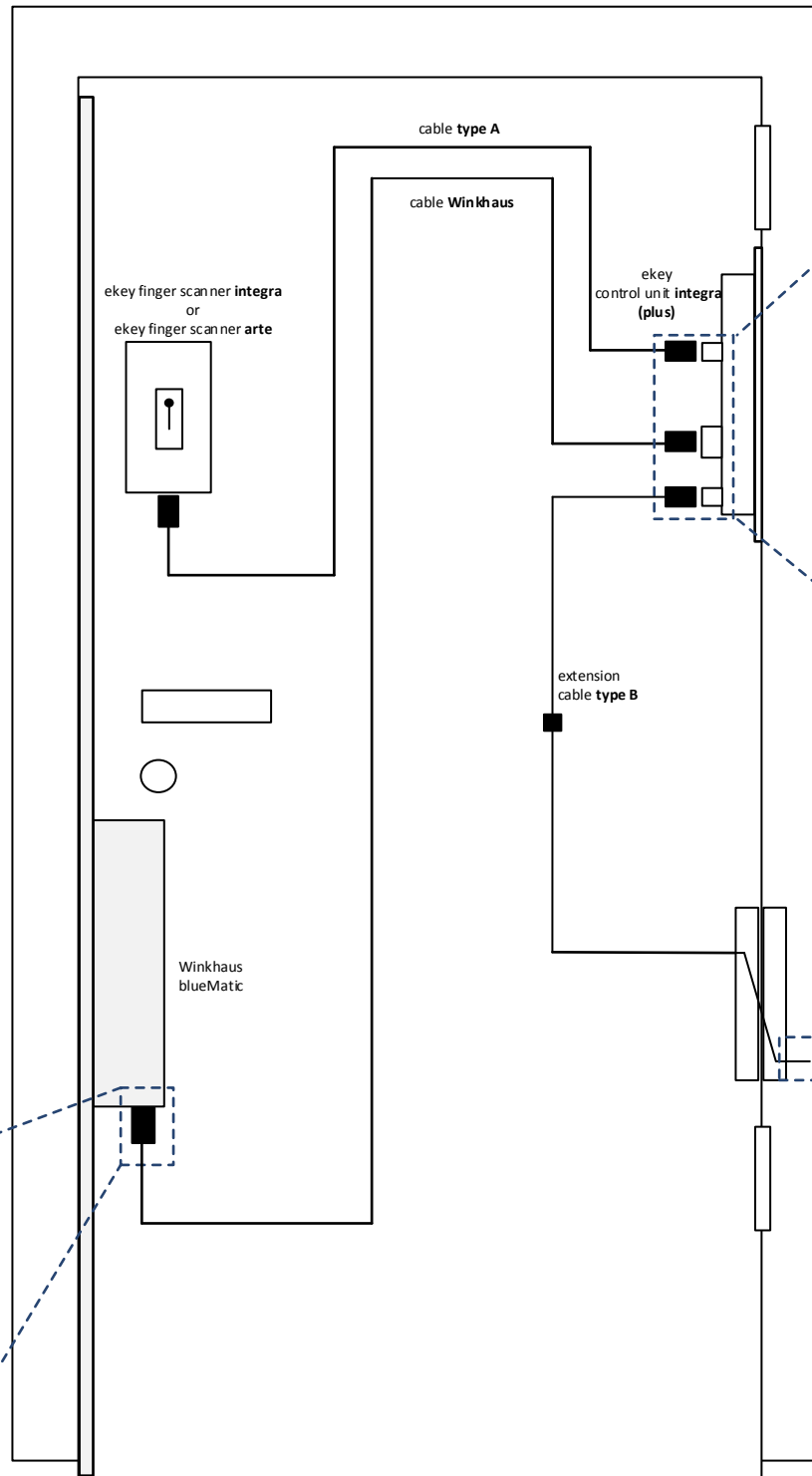
- ... Finger scanner *integra*
- ... Finger scanner *integra BT*
- ... Finger scanner *arte**
- ... Cable transfer 100 880
100 881
101 561
- ... Motorised lock Winkhaus blueMatic EAV
- ... Control panel *integra*
- ... Control panel *integra plus**
- ... Cable connection

*ekey FS Arte only in conjunction with ekey SE IN plus

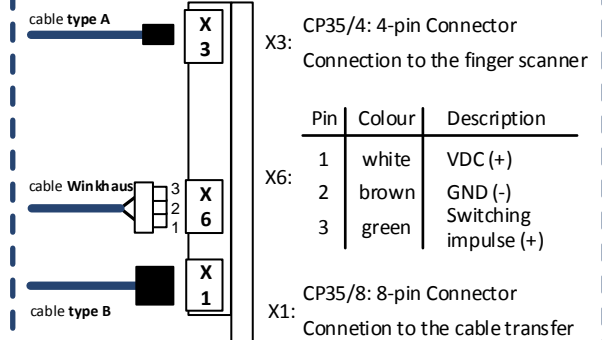
CONNECTION TO THE MOTORISED LOCK



Pin	Colour	Description
6	white	VDC (+)
4	brown	GND (-)
2	green	Switching impulse (+)

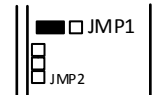


CONNECTION TO THE CONTROL PANEL

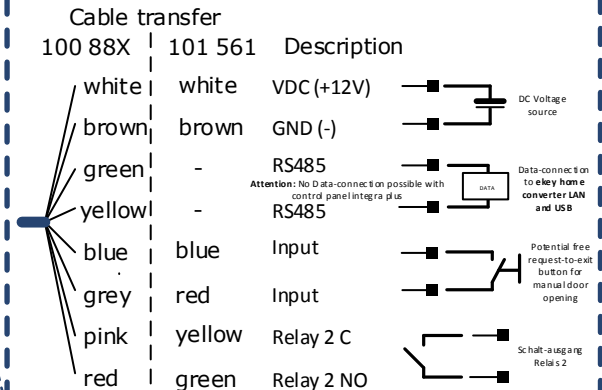


NOTICE

Operation of the relay 1 has to be set to "Switching voltage" (= Factory setting) by JP1 (Position JP1: 1-2)



WIRING DIAGRAM FOR ELECTRICIANS



NOTICE

Each unused core must be insulated separately!