

# WIRING DIAGRAM

Title: Wiring diagram for door manufacturers/electricians

Document: ekey\_integra\_FUHR\_MT\_AT\_ekeyCT

ID: 65/429/0/311 Version: 5, 18.09.2015



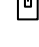



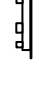

## NOTICE

This wiring diagram is not subject to updating. Subject to optical and technical modifications, any liability for errors and misprints excluded.

## ⚠ DANGER

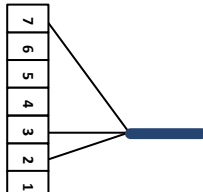
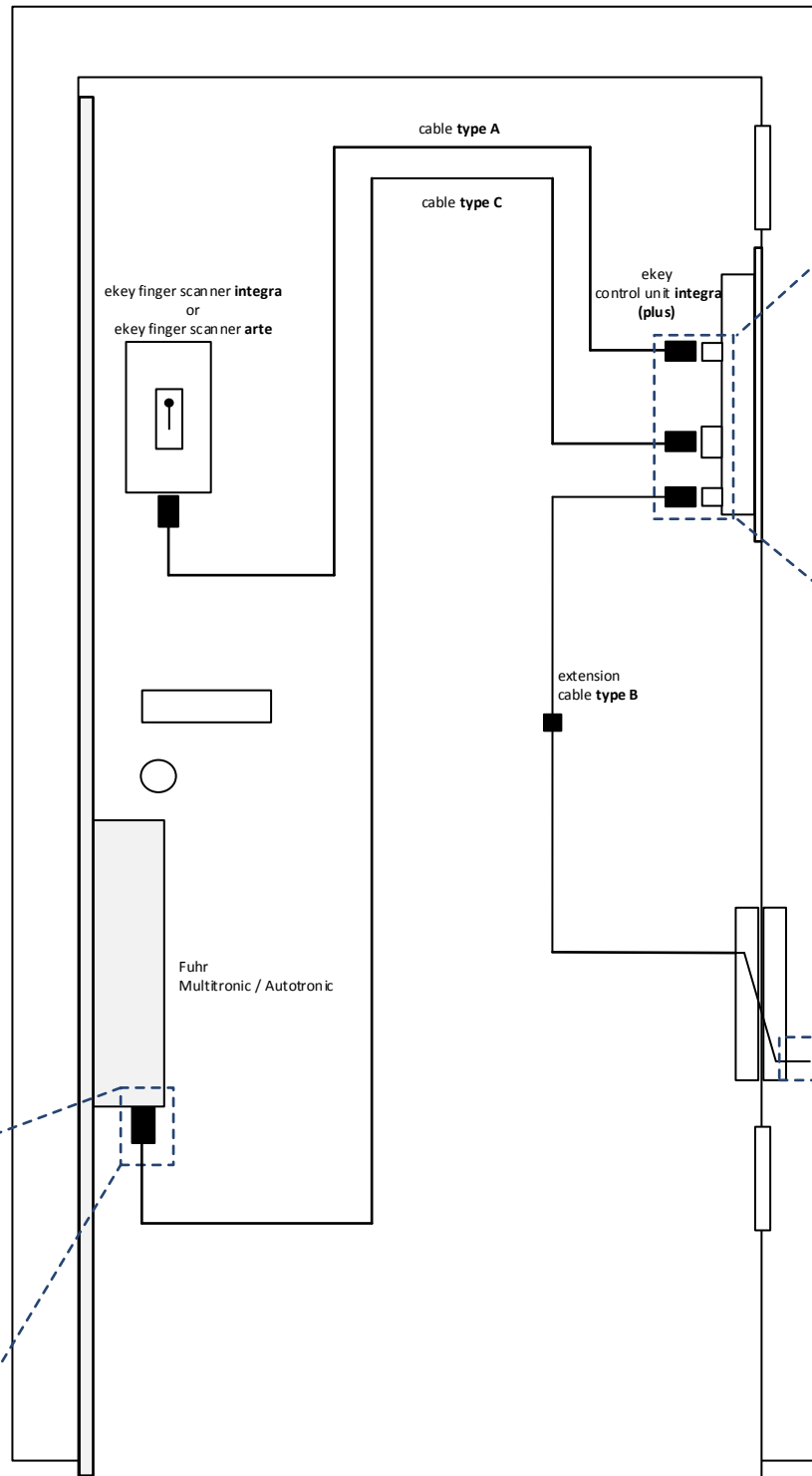
Dangerous electric voltage. Only certified electricians are authorised to carry out the electrical installation!

## LEGEND

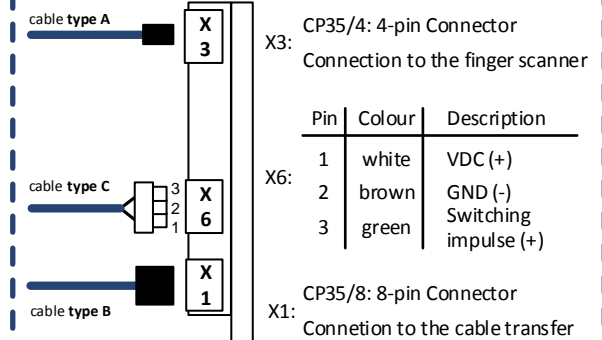
-  ... Finger scanner *integra*
-  ... Finger scanner *integra BT*
-  ... Finger scanner *arte*
-  ... Cable transfer 100 880  
100 881  
101 561
-  ... Motorised lock Fuhr Multitronic 881  
Fuhr Autotronic 834
-  ... Control panel *integra*
-  ... Control panel *integra plus*
-  ... Cable connection

## CONNECTION TO THE MOTORISED LOCK

Pin	Farbe	Bezeichnung
3	weiß	VDC (+)
2	braun	GND (-)
7	grün	Schaltimpuls (+)

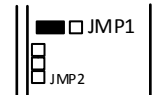



## CONNECTION TO THE CONTROL PANEL

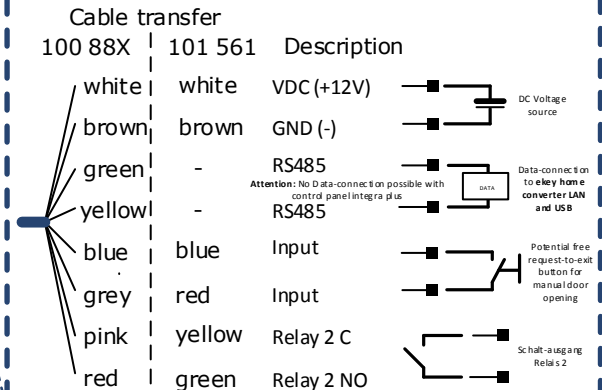


## NOTICE

Operation of the relay 1 has to be set to "Switching voltage" (= Factory setting) by JP1 (Position JP1: 1-2)



## WIRING DIAGRAM FOR ELECTRICIANS



## NOTICE

Each unused core must be insulated separately!