

WIRING DIAGRAM

Title: Wiring diagram for door manufacturers/electricians

Document: ekey_integra_KFV_Genius_A_ekeyCT

ID: 70/428/0/308 Version: 5, 08.09.2015



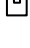





NOTICE

This wiring diagram is not subject to updating. Subject to optical and technical modifications, any liability for errors and misprints excluded.

⚠ DANGER

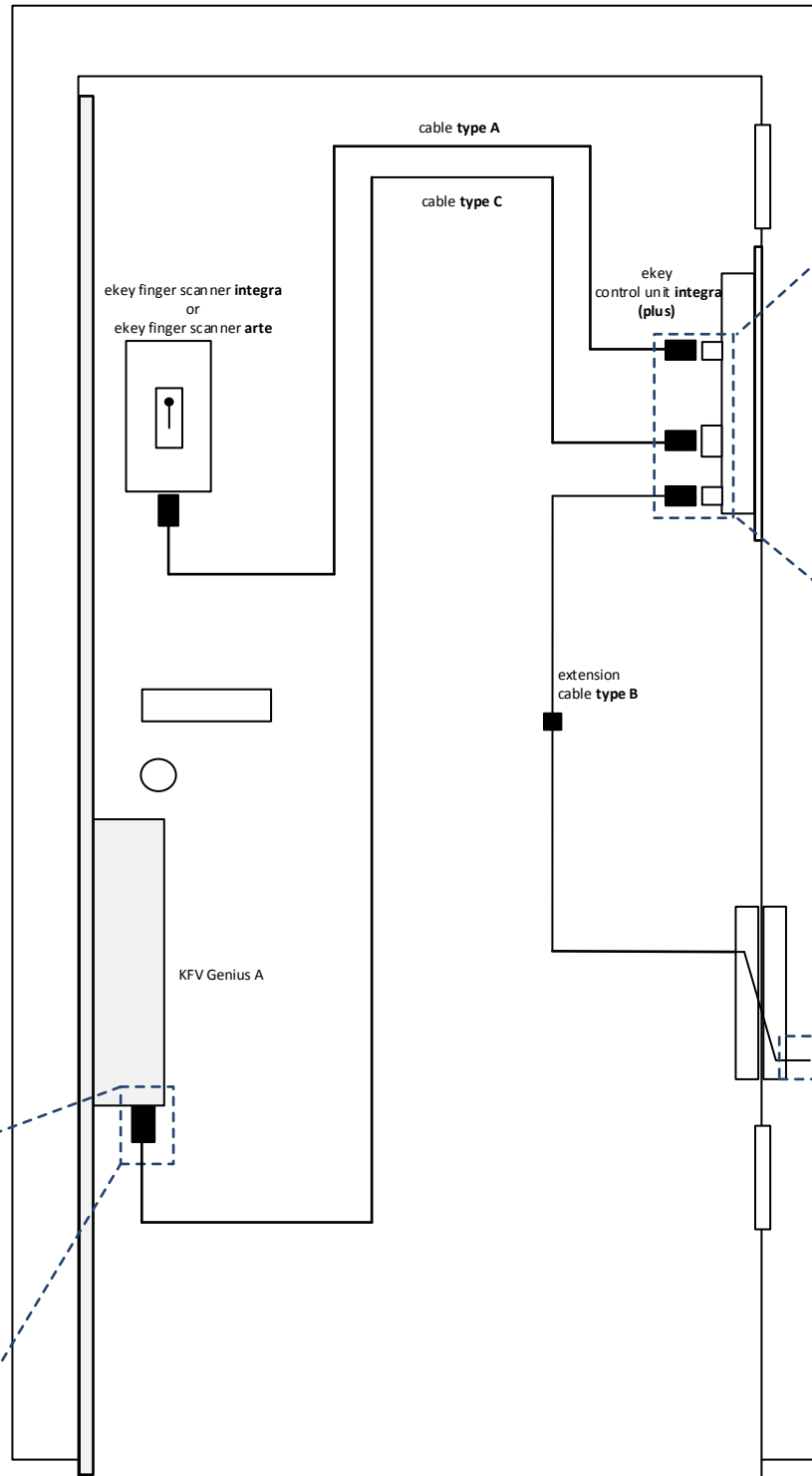
Dangerous electric voltage. Only certified electricians are authorised to carry out the electrical installation!

LEGEND

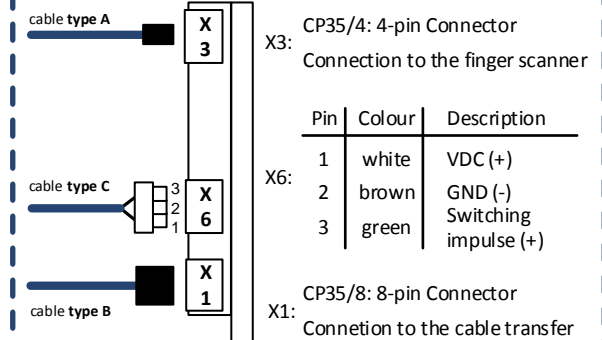
-  ... Finger scanner *integra*
-  ... Finger scanner *integra BT*
-  ... Finger scanner *arte*
-  ... Cable transfer 100 880
100 881
101 561
-  ... Motorised lock KFV Genius A
-  ... Control panel *integra*
-  ... Control panel *integra plus*
-  ... Cable connection

CONNECTION TO THE MOTORISED LOCK

Pin	Colour	Description
2	white	VDC (+)
3	brown	GND (-)
4	green	Switching impulse (+)

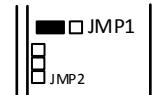


CONNECTION TO THE CONTROL PANEL

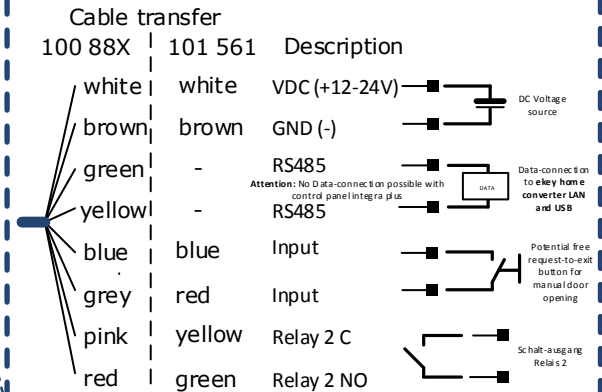


NOTICE

Operation of the relay 1 has to be set to "Switching voltage" (= Factory setting) by JP1 (Position JP1: 1-2)



WIRING DIAGRAM FOR ELECTRICIANS



NOTICE

Each unused core must be insulated separately!